



## WARNINGS & PRECAUTIONS

This Overbed Table utilizes a high-tension spring loaded mechanism to raise the table. **DO NOT** remove #13 Black Screw and replace with #14 Chrome Screw until table is fully assembled. **DO NOT** over tighten bolts, screws or use power tools when assembling this product.

Please follow all instructions and warnings to avoid hazardous situations that can result in property damage and/or patient/resident/staff/caregiver injury and/or death.

Inspect the product for damage and loose hardware before each use. **DO NOT** use the product if it appears to be damaged or unstable and **DO NOT** modify the product in any way.

## INTENDED USE

This product is designed for use as a movable patient/resident table top surface for reading, eating, or keeping small personal items such as glasses, telephone or books, within easy reach.

This product is designed for indoor use **ONLY** and within close proximity of skilled caregivers. It is not designed to hold electrical items (such as televisions, computer monitors, coffee pots, etc.) and should not be used near open flames and excessive heat.

Maximum weight limitation for this product is 50 lbs. (22 kg.); weight should be evenly distributed over the table top surface while at the lowest usable height to help maintain a stable condition.

### CAUTION

**DO NOT** overload this product, as that could result in breakage, as well as damage to property and/or serious injury. Use **ONLY** as directed for its intended use. This product should **NOT** be used as a sleep surface, walker, mobility aid; or to assist a person in walking, sitting down, standing up; or to prevent or brace a person's fall; or to help transport persons or items.

## OPERATION INSTRUCTIONS

1. To raise top to desired height, squeeze the Release Handle (3) and apply light pressure upward at any point under table.
2. To lower, squeeze Release Handle (3) and push down on the column side to the desired height.
3. **CAUTION**  
**DO NOT** put pressure on table top end that is opposite the column. Release the Release Handle (3) and table top will lock into place.

## CLEANING AND CARE

The overbed table may be cleaned with the damp, soft cloth using warm (~100°F) water and a mild, non-abrasive detergent. Allow the table to dry completely before use.

## MAINTENANCE

The Roscoe Overbed Table has been designed to provide years of service when used as indicated. To ensure user safety, the lifting mechanism should be tested for smooth operation and castor locks checked weekly. Every month, all bolts and fasteners must be checked and tightened where loose. Worn or missing parts **MUST** be replaced, contact your dealer or Compass Health Brands for replacement parts.

## ONE YEAR WARRANTY

This warranty is solely for the benefit of the original consumer purchaser.

This device was built to exacting standards and carefully inspected prior to shipment. Your Roscoe brand product is warranted to be free of defects in materials and workmanship for a period of one year. If within such warranty period, the product proves defective, the product will be repaired or replaced, at the option of Roscoe Medical. This warranty does not cover device failure due to owner misuse or negligence, or normal wear and tear. If you have a question about your Roscoe product or this warranty, please contact an authorized Roscoe Dealer.

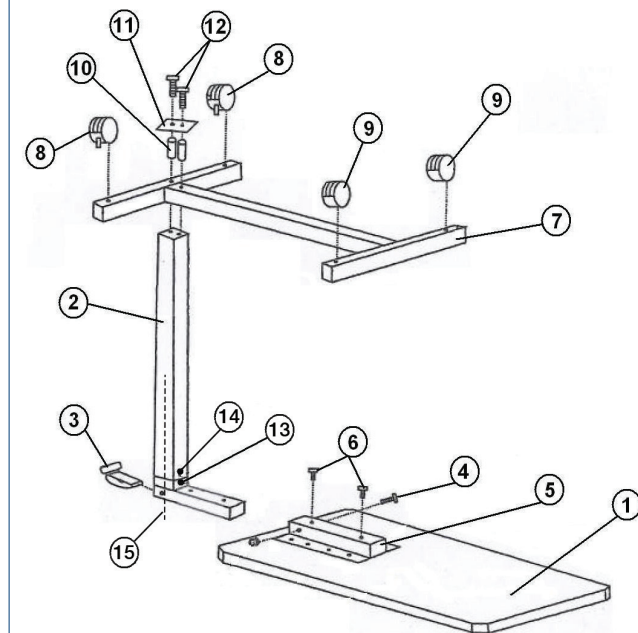
## COMPASSHEALTH

Compass Health Brands  
6753 Engle Road  
Middleburg Heights, Ohio 44130  
www.compasshealthbrands.com  
42\_ROS-OBT\_03 ©2022



## Deluxe Overbed Table

Item #: ROS-OBT



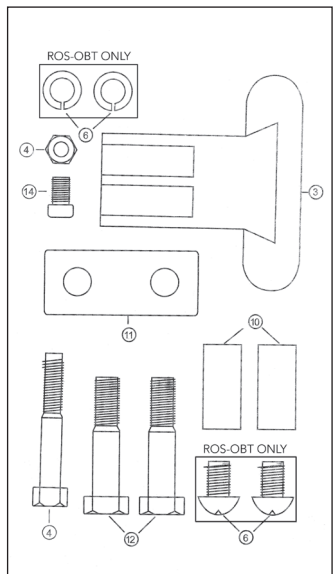
## PARTS LIST

- |   |  |
|---|--|
| 1. Table Top                            | 8. Caster With Lock (2)                          |
| 2. Column Assembly                      | 9. Caster (2)                                    |
| 3. Release Handle                       | 10. Bolt Sleeve                                  |
| 4. 1/4" #20 Bolt & Nut (1 Each)         | 11. Bolt Plate                                   |
| 5. Mounting Bracket                     | 12. 3/8" #18 UNF Bolt (2)                        |
| 6. 1/4" Washer & #12 1/4" Bolt (2 Each) | 13. 1/4" #20 Bolt (Black)                        |
| 7. H-Base                               | 14. 1/4" #10 Bolt (Chrome)                       |
|   | 15. Trip Rod, 1/4" x 20 1/2" (Located Inside #2) |

**WARNING: READ THIS ENTIRE USER GUIDE, INCLUDING WARNINGS, BEFORE PRODUCT ASSEMBLY. WHEN ASSEMBLING THE TABLETOP, ENSURE THAT THE TRIP ROD AND COLUMN ASSEMBLY ARE POSITIONED AWAY FROM YOUR PERSON.**

# ASSEMBLY INSTRUCTIONS

## ROS-OBT Hardware Blister Card & Tools - Fig. 1



### Tools Required:

- Adjustable wrench
- Philips and flat head screwdriver

Fig. 1

1. Remove contents from packaging and lay table top (1) upside down on flat surface with Mounting Bracket (5) facing upward. See Fig. 2.

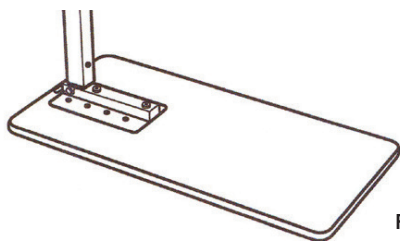


Fig. 2

2. Take the Column Assembly (2) and place Release Handle (3) on top of Trip Rod (7) which needs to be inside the Column Assembly before it is secured with Bolt and Nut (4). See Fig. 3.

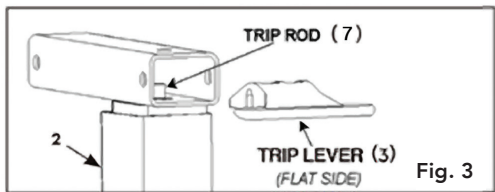


Fig. 3

**Note:** Trip Rod (7) is contained inside the column and shown here for reference.

# ASSEMBLY INSTRUCTIONS (con't)

3. While holding the Release Handle (3) securely in place on top of the Trip Rod (not shown), flip the Column Assembly (2) upside down and insert it into the table top Mounting Bracket (5) as shown in Fig. 4

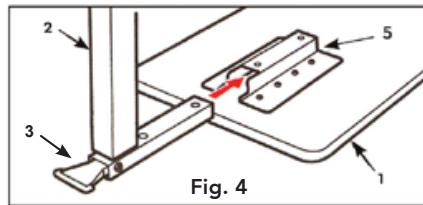


Fig. 4

4. Align horizontal hole in tabletop Mounting Bracket (5) with horizontal hole in Column Assembly (2) and hole through Release Handle (3). Insert Bolt (4) into horizontal hole & secure with Nut (4). Tighten with adjustable wrench. See Fig. 5.

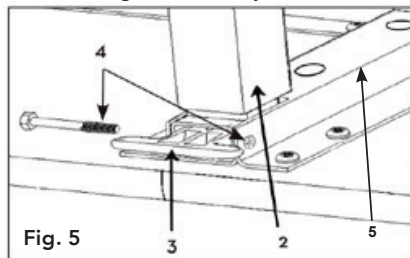


Fig. 5

5. Install two 1/4" Washers and #12 1/4" Bolts (6) through the vertical holes in the Mounting Bracket (5) and into the threaded holes in Column Assembly (2) as shown in Fig. 6.

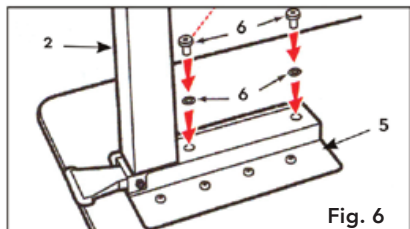


Fig. 6

6. Install two Casters with Lock (8) into H-Base (7). Install two Casters (9) into base opposite Column Assembly base (2). See Fig. 7.

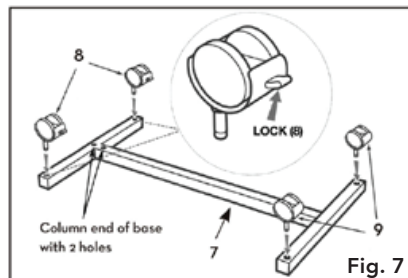


Fig. 7

# ASSEMBLY INSTRUCTIONS (con't)

7. Install two Bolt Sleeves (10) into the upside down H-Base (7) and then position the two 3/8" #18 UNF Bolts (12) through the Bolt Plate (11) and into the Bolt Sleeves (10). Position the H-Base (7) over the Column Assembly (2) and thread bolts into the bottom of and tighten using an adjustable wrench. See Fig. 8

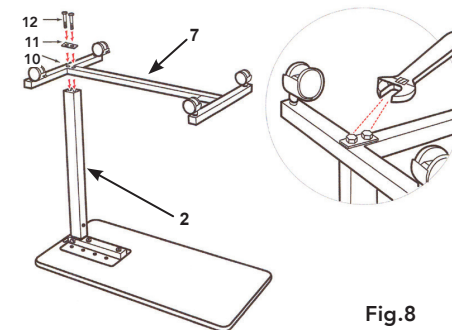


Fig. 8

8. Turn the table upright and stand on Casters.

### 9. ⚠ CAUTION:

**FOR SAFETY — DO NOT REMOVE BLACK SCREW (13) ON COLUMN ASSEMBLY (2) UNTIL THE TABLE IS FULLY ASSEMBLED AND STANDING IN UPRIGHT POSITION. AFTER REMOVING BLACK SCREW, REPLACE WITH CHROME SCREW (14) INCLUDED IN HARDWARE PACKAGE. THE BOTTOM CHROME SCREW WITH THE "DO NOT REMOVE" LABEL SHOULD NEVER BE REMOVED AS IT WILL DAMAGE THE UNIT AND VOID YOUR WARRANTY. ALSO PLEASE TAKE CAUTION AS THE TABLE TOP MAY SPRING UPWARD UPON REMOVAL OF THE BLACK SCREW.**

This step **MUST** be completed last to prevent damage to the spring loaded mechanism. Remove the Black Screw (13) in the Column Assembly (16) labeled "**REMOVE AFTER ASSEMBLY**" and replace it with the Chrome Screw (14) contained in hardware package. Do not remove the Chrome Screw labeled "**DO NOT REMOVE**". See Fig. 9 and Fig. 10.



Fig. 9

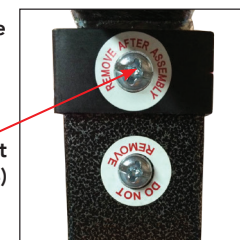


Fig. 10