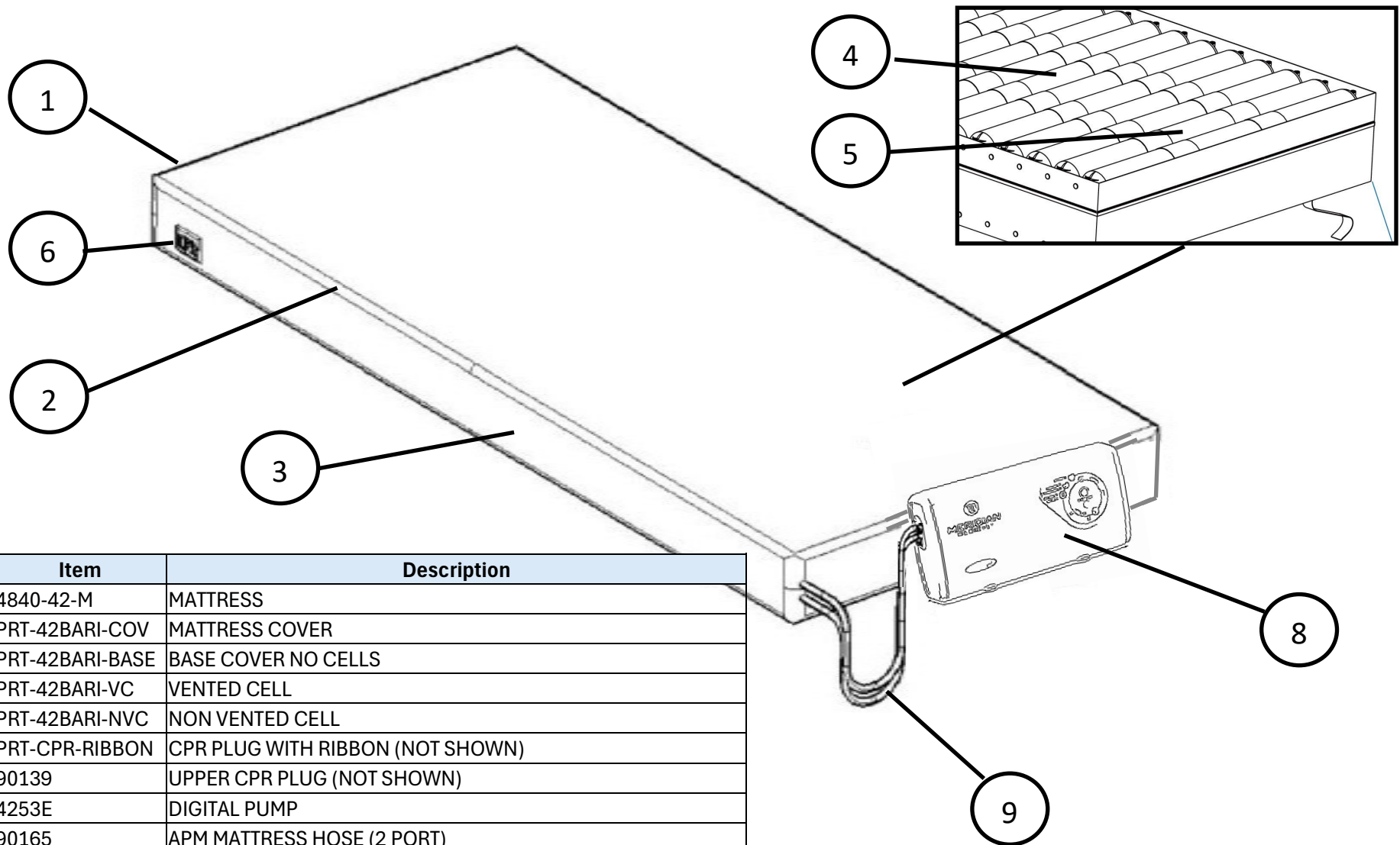


4840-42



REF	Item	Description
1	4840-42-M	MATTRESS
2	PRT-42BARI-COV	MATTRESS COVER
3	PRT-42BARI-BASE	BASE COVER NO CELLS
4	PRT-42BARI-VC	VENTED CELL
5	PRT-42BARI-NVC	NON VENTED CELL
6	PRT-CPR-RIBBON	CPR PLUG WITH RIBBON (NOT SHOWN)
7	90139	UPPER CPR PLUG (NOT SHOWN)
8	4253E	DIGITAL PUMP
9	90165	APM MATTRESS HOSE (2 PORT)
10	PRT-CELL-CONN	MALE CONNECTOR FOR CELL (NOT SHOWN)
11	PRT-CHK-VALVE	ONE WAY CHECK VALVE (NOT SHOWN)
12	PRT-DC	CELL QUICK DISCONNECT (NOT SHOWN)
13	90121	QUICK CONNECT FITTING W/ TRANSPORT CAP (NOT SHOWN)
14	90079	7" SINGLE REPLACEMENT TUBING (NOT SHOWN)
15	PRT-4253E-FILT	PUMP FILTER (NOT SHOWN)

Images are for reference purposes only and may not resemble the specific APM model.