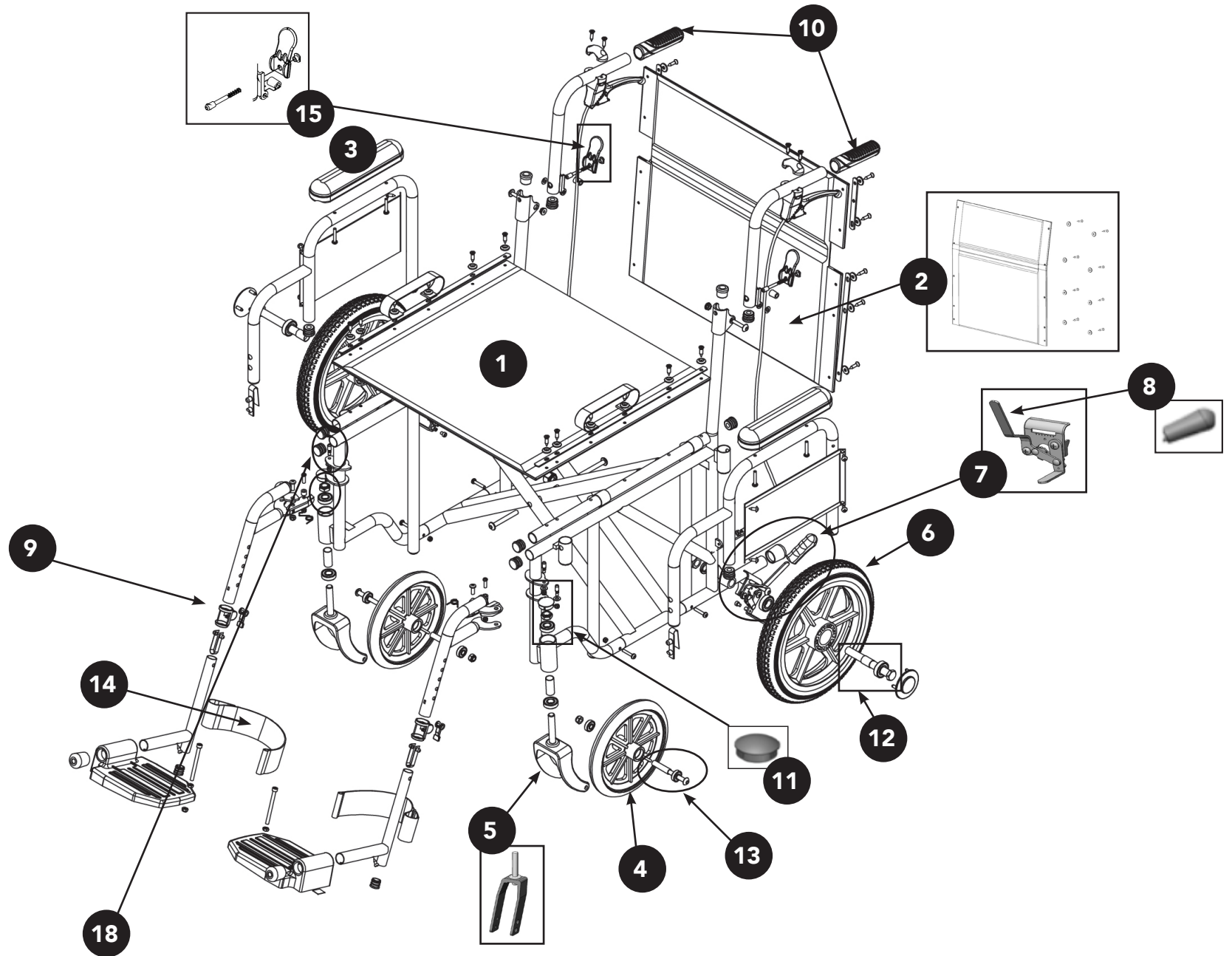


BARIATRIC TRANSPORT



BARIATRIC TRANSPORT

Fig.	Description	Part No.
1	Probasics Transport Chair Bari 22" Seat Upholstery w/Hardware	X1TCAS02
2	Probasics Transport Chair Bari 22" Back Upholstery w/Hardware	X1TCAS04
3	Probasics Transport Chair Bari Armrest Pad, Desk-Length w/Hardware	X1TCAS06
4	Probasics Transport Chair Bari Front Caster w/Bearing	X1TCAS08
5	Probasics Transport Chair Steel Front Caster Fork w/Stem Bearings	X1TCAS09
6	Probasics Transport Chair Bari 12" Rear Wheel w/Bearings	X1TCAS12
7	Probasics Transport Chair Bari 12" Wheel Lock Assembly	X1TCAS16
8	Probasics Transport Chair Wheel Lock Tip	X1TCAS17
9	Probasics Transport Chair Bari 12" Wheel Swing-Away Footrest	X1TCAS23
10	Probasics Transport Chair Hand Grips, Pair	X1TCAS24
11	Probasics Transport Chair Stem Dust Cap for Fork	X1TCAS25
12	Probasics Transport Chair Bari 12" Rear Axle Bolt w/Nut	X1TCAS29
13	Probasics Transport Chair Bari Caster Axle Bolt w/Nut	X1TCAS31
14	Probasics Transport Chair Heel Loop	X1TCAS34
15	ProBasics Transport Chair Folding Back Hinge w/Hardware	X1TCAS35