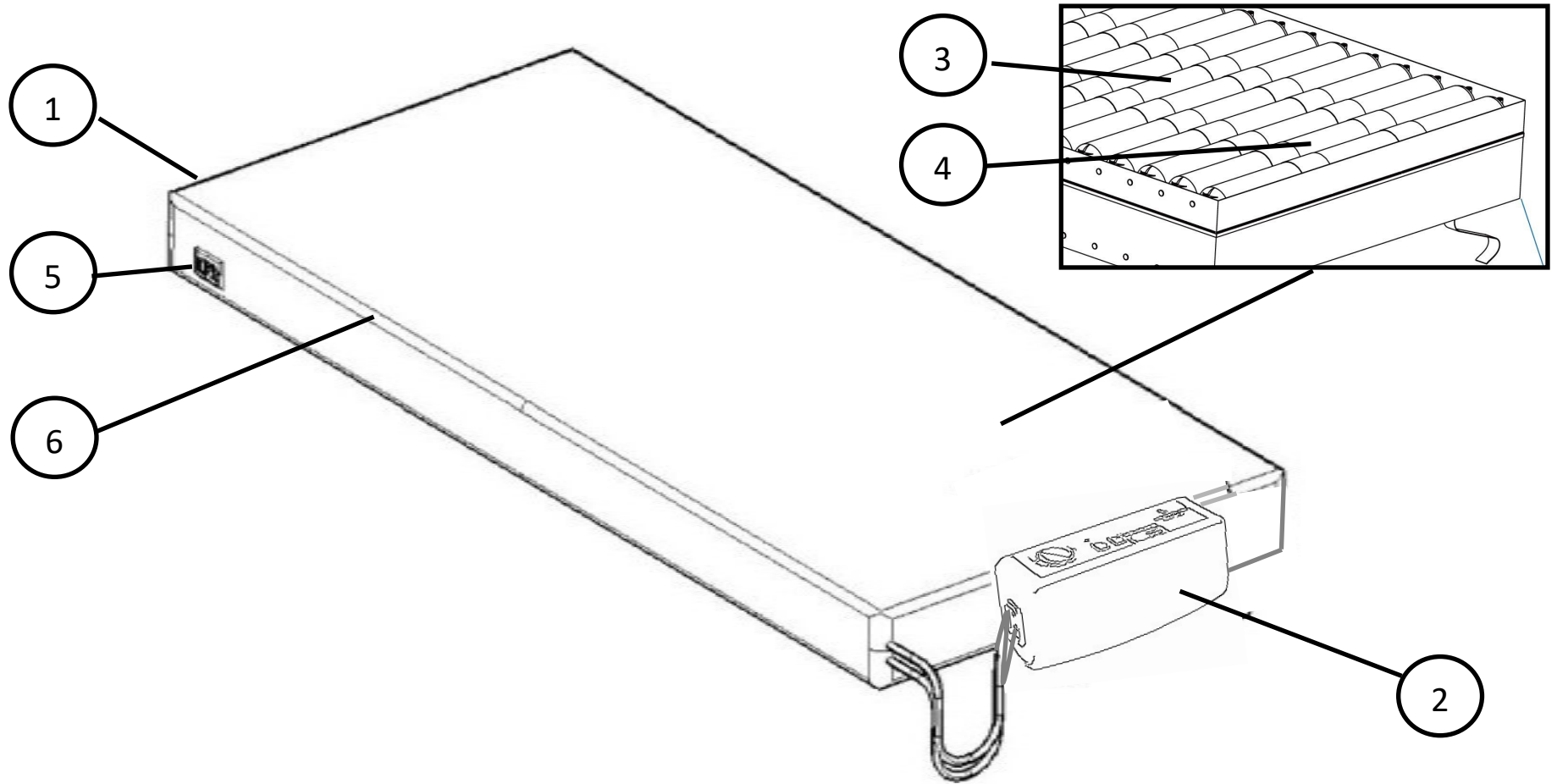


MER-SAPM2



MER-SAPM2	DESCRIPTION	ITEM #
1	Mattress Only	X1SAPM201
2	Replacement pump	X1SAPM202
3	LAL Cell	X1SAPM203
4	Non-LAL Cell	X1SAPM204
5	CPR Plug	X1SAPM205
6	Replacement cover	PBSATCOVER

Images are for reference purposes only and may not resemble the specific APM model.