

Three-Position Recliner

Owner's Operation and Maintenance Manual

For use with Item #PB6074

DEALER: This manual **MUST** be given to the user of the product.

USER:

- **BEFORE** using this product, read this manual in its entirety and save for future reference.
- Initial and ongoing maintenance **MUST** be performed only by qualified personnel.

For more information regarding ProBasics products, parts, and services, please visit www.compasshealthbrands.com



WARNINGS

NEVER USE THIS PRODUCT OR ANY AVAILABLE OPTIONAL EQUIPMENT WITHOUT FIRST COMPLETELY READING AND UNDERSTANDING THESE INSTRUCTIONS AND ANY ADDITIONAL INSTRUCTIONAL MATERIAL SUCH AS OWNER'S MANUALS, SERVICE MANUALS OR INSTRUCTION SHEETS SUPPLIED WITH THIS PRODUCT OR OPTIONAL EQUIPMENT. IF YOU ARE UNABLE TO UNDERSTAND THE WARNINGS, CAUTIONS OR INSTRUCTIONS, CONTACT A HEALTHCARE PROFESSIONAL, DEALER OR TECHNICAL PERSONNEL BEFORE ATTEMPTING TO USE THIS EQUIPMENT - OTHERWISE, INJURY OR DAMAGE MAY OCCUR.

ACCESSORIES WARNINGS

PROBASICS PRODUCTS ARE SPECIFICALLY DESIGNED AND MANUFACTURED FOR USE IN CONJUNCTION WITH PROBASICS ACCESSORIES. ACCESSORIES DESIGNED BY OTHER MANUFACTURERS HAVE NOT BEEN TESTED BY PROBASICS AND ARE NOT RECOMMENDED FOR USE WITH PROBASICS PRODUCTS.

WARNINGS

PROBASICS MOBILE RECLINER TIE-DOWN RESTRAINTS

Compass Health Brands recommends that Mobile Recliner users **NOT** be transported in vehicles of any kind while in mobile recliners. Currently, the US Department of Transportation (DOT) has not approved any tie-down systems for transportation of a user while in a ProBasics Mobile Recliner, in a moving vehicle of any type.

ProBasics Mobile Recliners have not been designed and/or tested for seating surfaces or vehicle chairs for occupant use within any type of vehicle.

Compass Health Brands recommends that users of Mobile Recliners should always be transferred into appropriate, DOT-approved seating in vehicles for transportation and use be made of the restraints made available by the auto industry. Presently, Compass Health Brands does not have any participation in the manufacture of Mobile Recliner transportation systems.

MAINTENANCE

Maintenance **MUST** be performed only by qualified personnel. ProBasics Mobile Recliners should be regularly inspected for worn/damaged mechanism guards. Chairs with damaged guards **MUST** be removed from service and repaired.

TABLE OF CONTENTS

LABEL LOCATION	4
SPECIAL NOTES	4
PRODUCT PARAMETERS	5
SECTION 1—WARNINGS AND GENERAL GUIDELINES	6
Service Information	6
Operation Information	6
Weight Limitation	7
Recline Option Operated by an Attendant	7
SECTION 2—SAFETY INSPECTION	8
Safety Inspection Checklists	8
SECTION 3—ASSEMBLY	9
Assembling the Recliner	9
SECTION 4—OPERATION	10
Reclining the Chair	10
Positioning the Articulating Headrest	10
Locking/Unlocking the Rear Wheels	11
Installing/Storing the Tray	11
Adjusting the Tray Position	11
SECTION 5—MAINTENANCE	12
Replacing the Back Cushion	12
Replacing the Footrest Cushion	12
Replacing the Recline Mechanism Guard	13
Replacing Position Lock Lever	14
Removing Position Lock Lever	14
Installing Position Lock Lever	14
Replacing Casters	14
Replacing Caster Assembly	14

Replacing Caster Wheels	14
Replacing Plunger Release Knob	15
Removing/Installing the Side Panel	15
Removing Side Panels	15
Installing Side Panel	16
Replacing the Armrest Cushion	16
Removing Armrest Cushion	16
Installing Armrest Cushion	16
Cleaning the Upholstery	17
LIMITED WARRANTY	17-18

INDICATIONS FOR USE

This mobile recliner has been designed for use in the home or a clinical environment where a user may need a more substantial seating platform. Mobile recliners may be used with those who may require reclined seating for the following reasons:

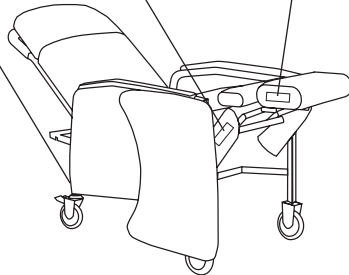
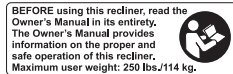
- Dialysis or chemo
- Same-day surgery
- Post-operative seating
- Cardiac or outpatient care
- Arthritis
- Neuromuscular disorders
- Limited or reduced mobility
- Other conditions which may necessitate the need for a recliner chair

LABEL LOCATION

NEVER allow children to operate the recliner. The legrest lowers down upon closing so that a child could possibly be severely injured.

NEVER allow children or pets to play on or under the recliner. The legrest lowers down upon closing so that a child or pet could possibly be severely injured.

When unoccupied ensure the legrest is down. Keep hands and feet clear of mechanism. **NEVER** press down or stand on the footrest.



SPECIAL NOTES

Signal words are used in this manual and apply to hazards or unsafe practices which could result in personal injury or property damage. Refer to the following table for definitions of the signal words.

SIGNAL WORD	MEANING
⚠ DANGER	Danger indicates an imminently hazardous situation which, if not avoided, will result in death or serious injury.
⚠ WARNING	Warning indicates a potentially hazardous situation which, if not avoided, could result in death or serious injury.
⚠ CAUTION	CAUTION calls attention to a low risk; indicates some injury or property damage may result if proper precautions are not taken.

NOTICE

THE INFORMATION CONTAINED IN THIS DOCUMENT IS SUBJECT TO CHANGE WITHOUT NOTICE.

NOTE: Updated versions of this manual are available on www.compasshealthbrands.com.

TYPICAL PRODUCT PARAMETERS

MODEL NO. PB6074

OVERALL HEIGHT:	47 inches
OVERALL WIDTH:	28 inches
OVERALL DEPTH UPRIGHT:	41 inches
OVERALL DEPTH RECLINE:	68 inches
SEAT WIDTH:	19 inches
SEAT DEPTH:	20 inches
SEAT-TO-BACK HEIGHT:	34 inches
SEAT-TO-FLOOR HEIGHT:	21 inches
SEAT ANGLE RANGE:	11° - 35°
BACK ANGLE RANGE:	38° - 61°
OVERALL TRAY LENGTH AND WIDTH:	25½ x 15 inches
WEIGHT LIMITATION:	250 lbs
PRODUCT WEIGHT:	91 lbs
SHIPPING WEIGHT:	105 lbs

MODEL NO. PB6074WD

OVERALL HEIGHT:	47 inches
OVERALL WIDTH:	32 inches
OVERALL DEPTH UPRIGHT:	43 inches
OVERALL DEPTH RECLINE:	68 inches
SEAT WIDTH:	22¾ inches
SEAT DEPTH:	20½ inches
SEAT-TO-BACK HEIGHT:	34 inches
SEAT-TO-FLOOR HEIGHT:	22 inches
SEAT ANGLE RANGE:	14° - 38°
BACK ANGLE RANGE:	36° - 61°
OVERALL TRAY LENGTH AND WIDTH:	N/A
WEIGHT LIMITATION:	400 lbs
PRODUCT WEIGHT:	91 lbs
SHIPPING WEIGHT:	107 lbs

SECTION 1—WARNINGS AND GENERAL GUIDELINES

SECTION 1 - WARNINGS AND GENERAL GUIDELINES contains important information for the safe operation and use of this product.

Check all parts for shipping damage. In case of damage, **DO NOT USE**. Contact Carrier/ Dealer for further instructions.

Every month, inspect all pivot points and fasteners for wear. If the metal is worn, **DO NOT USE**, the parts **MUST** be replaced. Refer to pg. 8 & 12 of this manual for proper maintenance and inspection guidelines.

Regular maintenance of the mobile recliner and accessories is necessary to assure proper and safe operation. Ensure that casters are free of debris.

ALWAYS keep hands and fingers clear of moving parts to avoid injury.

NEVER use near an open flame or heat source, as all upholstery materials, even though treated with flame retardant, can ignite when exposed to open flame.

Rear caster wheels **MUST** be locked during user transfer to or from recliner and while tilting and/or reclining or inclining (sitting up).

Casters and axle bolts require inspection every month to check for tightness and wear.

NEVER enter or exit the recliner when footrest is elevated.

NEVER sit on the footrest when recliner is extended. The recliner will tip and bodily injury may occur.

NEVER push or pull footrest to position the recliner.

NEVER stand on the footplates. When getting in or out of the wheelchair, make sure that the footplates are in the upward position or swinging the footrests towards the outside of the wheelchair.

NEVER place hands or feet into any openings when adjusting the recliner. Attendant or care provider should always verify placement of user's hands and feet prior to adjusting the recliner. Failure to do so may result in serious bodily injury.

Operation of recliner with missing or broken footrest or recline mechanism guards may result in bodily injury. Periodic inspection of the footrest guard and recline mechanism guard **MUST** be made monthly. Torn, cracked or otherwise damaged guards **MUST** be replaced prior to use. Recliner **MUST** be removed from service until replacement guards are installed.

NEVER lift the recliner by the footrest. Lifting by means of the footrest may result in injury to the user and/or damage to the recliner.

NEVER attempt to stop the recliner with the wheel locks, while in motion. Wheel locks are not brakes.

Before attempting to transfer in or out of the recliner, every precaution should be taken to reduce the gap distance. Turn the recliner toward the object you are transferring onto. When transferring to and from the recliner, **ALWAYS** engage both wheel locks. Special care **MUST BE** taken with people that have physical limitations and who may require an assistant.

SECTION 1— WARNINGS AND GENERAL GUIDELINES (CONT)

NEVER traverse, climb or go down ramps or slopes greater than 9° with a user seated in the chair.

ProBasics products are specifically designed and manufactured for use in conjunction with ProBasics accessories. Accessories designed by other manufacturers have not been tested by Compass Health Brands or the manufacturer and are not recommended for use with ProBasics products.

NEVER allow children to operate the recliner. The legrest lowers down upon closing so that a child could possibly be severely injured.

NEVER allow children or pets to play on or under the recliner. The legrest lowers down upon closing so that a child or pet could possibly be severely injured.

When unoccupied ensure the legrest is **ALWAYS** down. Keep hands and feet clear of mechanism. **NEVER** press down or stand on the footrest.

WEIGHT LIMITATION

The weight limitation for ProBasics Mobile Recliners is 250 lbs (113.6 kg). The weight limitation for model PB6074WD Wide Recliner is 400 lbs (181.44 kg). The tray for model PB6074 has a weight limitation of 40 lbs (18.2 kg).

RECLINE OPTION OPERATED BY AN ATTENDANT

Test the recline feature of the recliner first without an occupant to ensure the gas cylinder is operational. **NEVER** operate the recline option if the gas cylinder is not operational.

ALWAYS make sure that the recliner is stable before using the recline option.

Make sure the patient is properly positioned in the recliner before reclining or inclining to maintain maximum stability and safety.

When returning the occupant of the recliner to the full upright position, more body strength will be required for approximately the last twenty degrees of incline (sitting up). Make sure to use proper body mechanics (use your legs) or seek assistance to avoid injury.

Physical limitations of a user and larger occupants of the recliner can present conditions that can injure the assistant. When in doubt, ensure that additional assistants are present before operating the recline feature.

This recliner is intended for indoor use only.

SECTION 2—SAFETY INSPECTION

NOTE: Every six months or as necessary take your recliner to a qualified dealer for a thorough inspection and servicing. Regular cleaning service and inspection will reveal loose or worn parts and enhance the smooth operation of your recliner. To operate properly and safely, your recliner must be cared for appropriately as any other vehicle. Routine maintenance will extend the life and efficiency of your recliner.

SAFETY INSPECTION CHECKLISTS

⚠️WARNING

As with any transport device, casters should be checked periodically for cracks and wear and should be replaced as necessary.

Initial adjustments should be made to suit your personal body structure needs and preference. Thereafter follow these maintenance procedures:

INSPECT/ADJUST BEFORE FIRST USE

- Ensure that the recliner rolls straight (no excessive drag or pull to one side).
- Ensure seat, back and/or armrest upholstery have no rips and do not sag. Replace if necessary.
- Ensure that the seat upholstery is fastened to the seat frame.
- Clean seat upholstery and armrests.
- Inspect caster assembly to ensure it has proper tension when caster is spun. Caster should come to a gradual stop.
- Loosen/tighten caster locknut if wheel wobbles noticeably or binds to a stop.
- Ensure that the caster assembly is free from debris.
- Inspect for any loose hardware on the recliner.
- Check that all labels are present and legible (as illustrated on p.4).
8 Replace if necessary.

INSPECT/ADJUST WEEKLY

- Ensure that the seat upholstery is fastened to the seat frame.
- Ensure seat, back and/or armrest upholstery have no rips and do not sag. Replace if necessary.
- Ensure that the caster assembly is free of debris.

INSPECT/ADJUST MONTHLY

- Ensure that the recliner rolls straight (no excessive drag or pull to one side).
- Ensure that the seat upholstery is fastened to the seat frame.
- Inspect caster assembly to ensure it has proper tension when caster is spun. Caster should come to a gradual stop.
- Loosen/tighten caster locknut if wheel wobbles noticeably or binds to a stop.
- Inspect for any loose hardware on the recliner.
- Ensure recliner rolls straight (no excessive drag or pull to one side).
- Ensure seat, back and/or armrest upholstery have no rips and do not sag. Replace if necessary.
- Clean upholstery and armrests.
- Check that all labels are present and legible. Replace if necessary.
- Inspect all pivot points and fasteners for wear. Replace if necessary.

SECTION 3—ASSEMBLY

⚠WARNING

After **ANY** adjustments, repair or service and before use, make sure that all attaching hardware is tightened securely - otherwise injury or damage may result.

ASSEMBLING THE RECLINER

⚠WARNING

Tighten mounting screws securely. Failure to do so may result in bodily injury or damage to the recliner.

NOTE: For this procedure, refer to **FIGURE 3.1** on this page.

1. Remove back frame with back cushion from its carton.
2. Lock the rear casters. Work from the rear of the recliner base.
NOTE: Ensure that footrest is in closed position before installing the back frame with cushion.
3. Lift the chair back in an upright position behind the rear seat cross brace.
4. Slide the back tubes into the open tube ends of the rear seat cross brace.
5. Lift the plastic skirt mounted on the bottom of the seat and align behind the rear seat frame crossbrace (**DETAIL "A"**).
6. Align the holes in the skirt to the holes in the chair back by fastening the hardware.
7. Securely tighten the two hex screws to secure the back cushion to the back frame.

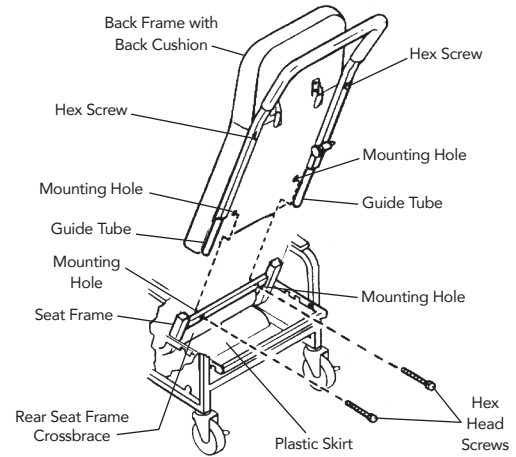
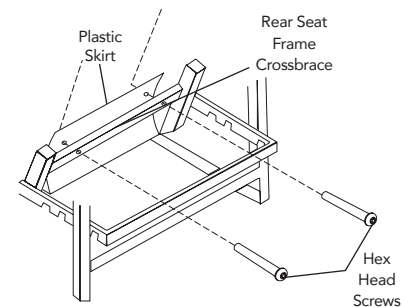


FIGURE 3.1 Assembling the Recliner
DETAIL "A" - Plastic Skirt



SECTION 4—OPERATION

⚠WARNING

After **ANY** adjustments, repair or service and **BEFORE** use, ensure that all attaching hardware is tightened securely - otherwise injury or damage may result.

⚠CAUTION

Ensure that there is adequate room to operate the ProBasics Mobile Recliner. There must be at least three feet clearance between the top of the recliner back and the surrounding objects, otherwise damage to the recliner and or surrounding property may occur.

RECLINING THE CHAIR

USER RECLINE

NOTE: For this procedure, refer to **FIGURE 4.1**.

NOTE: The chair cannot recline if the recline lock bar is engaged. An assistant must first swing recline lock bar up to the chair back and lock into position.

1. While seated in the recliner, grip the armrests and simultaneously lean body weight back and push forward with your arms until a recline position reached.

NOTE: The footrest will lift automatically when the chair back reclines.

NOTE: The occupant should not be required to exert excessive force to change recline positions. If the recliner exhibits difficulty in reclining, an attendant should be called for assistance.

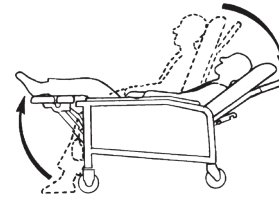


FIGURE 4.1 RECLINING THE CHAIR - USER RECLINE

ASSISTED RECLINE

NOTE: For this procedure, refer to **FIGURE 4.2**.

1. Swing recline lock bar up to chair back and lock into position.
2. Grasp the armrest with one hand and the push bar with the other hand.
3. Push the back of the chair down slowly until a desired position is reached.

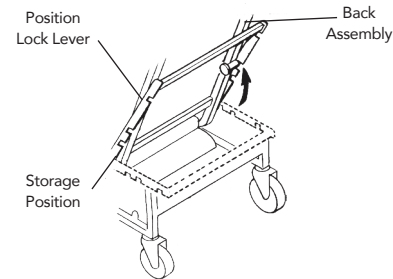


FIGURE 4.2 RECLINING THE CHAIR - ASSISTED RECLINE

NOTE: The caregiver can set recline lock bar at one of the three locking positions.

SECTION 4—OPERATION (CONT)

LOCKING/UNLOCKING THE REAR WHEELS

NOTE: For this procedure, refer to **FIGURE 4.3**.

1. Push down on the wheel lock mechanism to engage the wheel locks.
2. Release the wheel locks by pushing the other side of the lock mechanism downward.

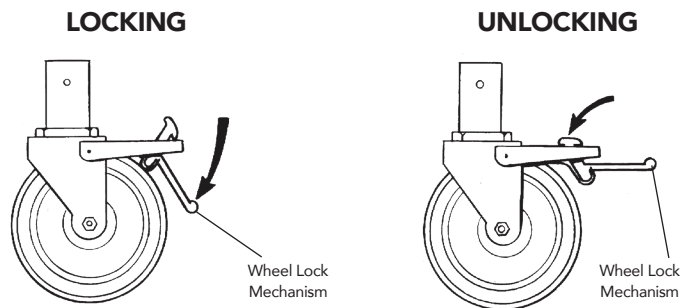


FIGURE 4.3 Locking/Unlocking the Rear Wheels

INSTALLING/STORING THE TRAY

NOTE: For this procedure, refer to **FIGURE 4.4**.

NOTE: Reverse this procedure to remove the tray.

⚠WARNING: The tray has a weight limitation of 40 lbs. (18.2 kg).

1. Pull down on the plunger release knobs on both arms and twist them ¼-turn to lock them in the open position.
2. Pull the tray up and clear from the hangers located on the side of the recliner.
3. Align the alignment rods with the mounting brackets under the armrests of the recliner.
4. Insert the alignment rods into the mounting brackets.
5. Slide the tray to the desired position until an audible click is heard.

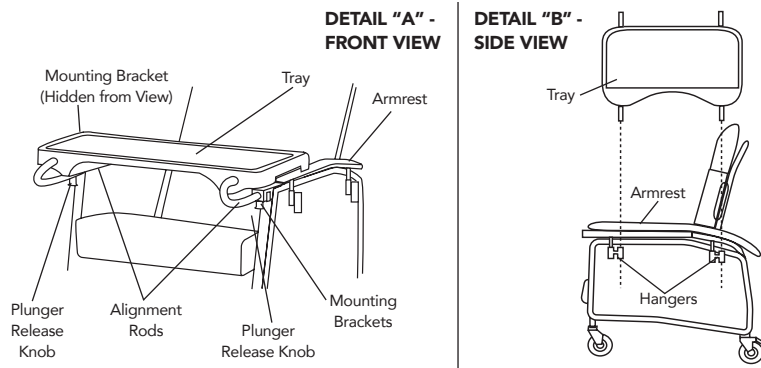


FIGURE 4.4 Installing/Storing the Tray

SECTION 5— MAINTENANCE

⚠WARNING

After **ANY** adjustments, repair or service and **BEFORE** use, make sure that all attaching hardware is tightened securely - otherwise injury or damage may result.

REPLACING THE BACK CUSHION

NOTE: For this procedure, refer to **FIGURE 5.1**.

REMOVING

1. Remove the four long hex screws that secure the back cushion to the back frame.
2. Remove the four short hex screws that secure headrest bracket to the back cushion.
3. Repeat for remaining headrest bracket.

INSTALLING

1. Align back cushion with the back frame.
2. Install four long hex screws to secure the back cushion to the back frame. Securely tighten.
3. Secure the headrest bracket to the back cushion with four short hex screws.
4. Securely tighten. Repeat for remaining headrest bracket.

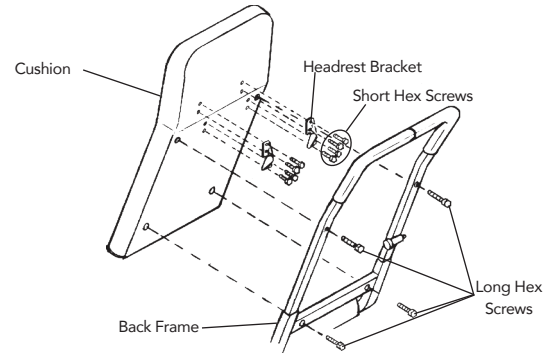


FIGURE 5.1 Replacing the Back Cushion

REPLACING THE FOOTREST CUSHION

⚠WARNING

NEVER stand on the footrest or seat when entering or exiting the recliner. The recliner will tip and bodily injury may occur.

NOTE: For this procedure, refer to **FIGURE 5.2** on page 13.

1. Recline the recliner to raise the footrest assembly. Refer to Reclining the Chair on page 10.
2. Remove the four hex screws that secure the existing footrest cushion to the recline mechanism.
3. Align the four mounting holes of the recline mechanism with the four mounting holes of the new footrest cushion.
4. Using four hex screws, secure the footrest cushion to the recline mechanism.

SECTION 5— MAINTENANCE (CONT)

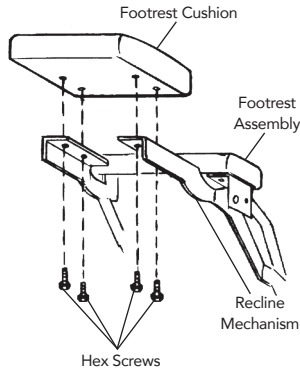


FIGURE 5.2 Replacing the Footrest Cushion

REPLACING THE RECLINE MECHANISM GUARD

NOTE: For this procedure, refer to **FIGURE 5.3**.

NOTE: Right and left sides are determined from the user's seated position.

1. Engage wheel locks.
2. Carefully tip recliner onto the right side. Be sure there are no obstructions on or around the floor before doing this.
3. Remove the side panel. Refer to Removing/Installing the Side Panel on page 15.
4. Remove four existing bolts A, B, C, and D from side frame as shown in **FIGURE 5.3**.
5. Remove existing recline mechanism guard.

6. Position new recline mechanism guard against the side frame with the folded edge down.
 7. Align holes of new recline mechanism guard with holes on side frame.
 8. Secure new recline mechanism guard to side frame with bolts A, B, C, and D. Securely tighten.
 9. Install the side panel. Refer to Removing/Installing the Side Panel on page 15.
 10. Place chair in the upright position.
- NOTE:** If binding or pinching of recline mechanism guard occurs, contact Compass Health Brands Corp. (see back panel of this manual).
11. Carefully tip recliner onto the left side. Ensure there are no obstructions on or around the floor before doing this.
 12. Repeat **STEPS 3-10** to install remaining recline mechanism guard.

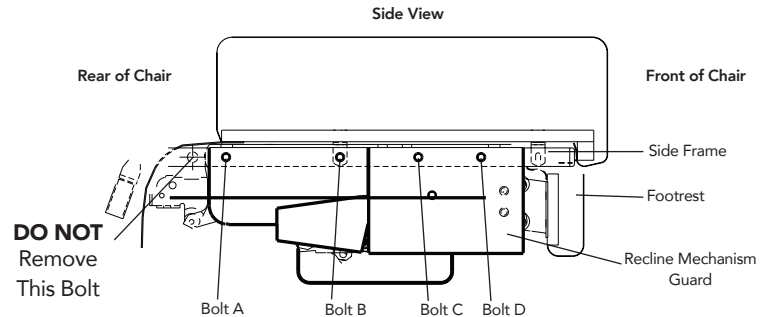


FIGURE 5.3 Replacing the Recline Mechanism Guard

SECTION 5— MAINTENANCE (CONT)

REPLACING POSITION LOCK LEVER

NOTE: For this procedure, refer to **FIGURE 5.4**.

REMOVING POSITION LOCK LEVER

1. Remove two screws, nylon washers and locknuts securing the position lock lever to the seat frame.

INSTALLING POSITION LOCK LEVER

1. Secure the position lock lever to the seat frame with the two screws, nylon washers and locknuts.

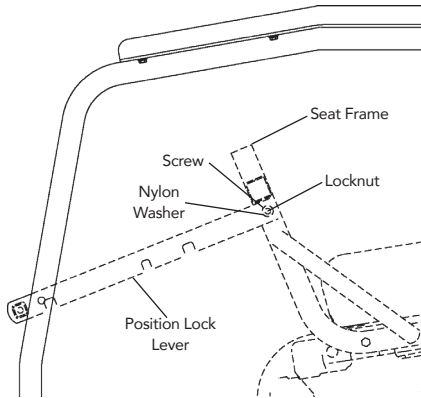


FIGURE 5.4 Replacing Position Lock Lever

REPLACING CASTERS

REPLACING CASTER ASSEMBLY

NOTE: For this procedure, refer to **DETAIL "A"** of **FIGURE 5.5**.

1. Place the recliner on its side to gain access to the existing caster assemblies.
2. Remove the hex screw and locknut that secures the caster assembly to the recliner frame.
3. Align hole in caster insert with hole in recliner frame and install new caster assembly.
4. Reinsert and tighten the hex head screw and nut.
5. Return the recliner to its upright position.

⚠WARNING: Periodic inspection of the hex head screws and nuts is recommended to ensure that they are tight. Time and usage may cause them to become loose and could cause breakage of the caster assemblies.

REPLACING CASTER WHEELS

NOTE: For this procedure, refer to **DETAIL "B"** of **FIGURE 5.5**

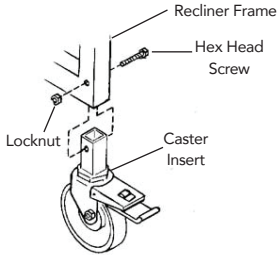
NOTE: When replacing the rear locking caster wheel, note the orientation of the locking actuator and axle bolt for proper reinstallation.

1. Remove axle bolt and locknut that secure the existing caster wheel to the fork.
2. Remove existing caster wheel from fork.
3. Install the new caster wheel into the fork.
4. Install the axle bolt and locknut and tighten securely.

SECTION 5— MAINTENANCE (CONT)

NOTE: The rear casters are locking/swivel casters and the front casters are free-wheeling and non-pivotal.

DETAIL "A" - CASTER ASSEMBLY



DETAIL "B" - CASTER WHEELS

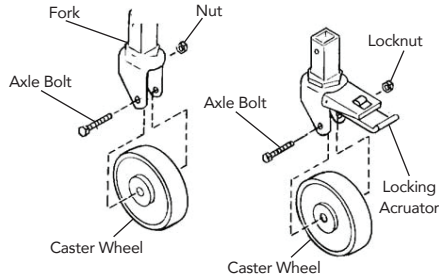


FIGURE 5.5 Replacing Casters

REPLACING PLUNGER RELEASE KNOB

NOTE: For this procedure, refer to **FIGURE 5.6**.

1. Remove glide from end of frame.
2. Remove retaining ring from end of plunger pin.
3. Slide plunger release knob off the plunger pin.
4. Lift plunger pin and spring out of the frame tube.
5. Insert new plunger pin and spring into the frame so that grooved end of pin extends below the frame tube.
6. Place plunger release knob over the plunger pin.
7. Snap the retaining ring into groove of the plunger pin.
8. Replace the glide into the end of the frame.

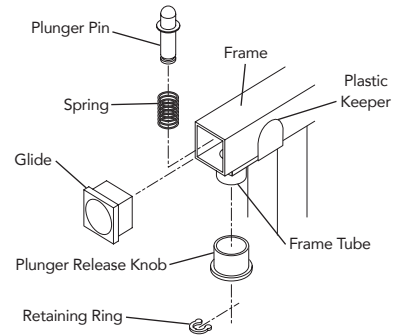


FIGURE 5.6 Replacing Plunger Release Knob

REMOVING/INSTALLING THE SIDE PANEL

NOTE: For this procedure, refer to **FIGURE 5.7** on page 16.

REMOVING SIDE PANELS

1. Press the push buttons near the bottom of the right-side panel.
2. Hold the push buttons in while pulling the panel outward.
3. Repeat **STEPS 1** and **2** for the other side panel.

SECTION 5— MAINTENANCE (CONT)

INSTALLING SIDE PANEL

1. Slip the top of the right-side panel into the mounting tab.
2. Push the side panel upward until the side panel fit into the side frame.
3. Pop the side panel into position when the push buttons are visible, through the push pin holes, near the bottom of the side frame.

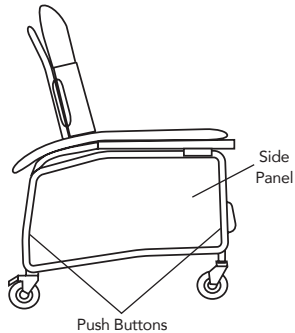


FIGURE 5.7 Removing/Installing the Side Panel

REPLACING THE ARMREST CUSHION

NOTE: For this procedure, refer to **FIGURE 5.8**.

REMOVING ARMREST CUSHION

1. Remove four screws securing the armrest cushion to the recliner frame.
2. Remove the armrest cushion from the recliner frame.

INSTALLING ARMREST CUSHION

1. Align the armrest cushion with the recliner frame.
2. Secure the armrest cushion to the recliner frame with the four screws.

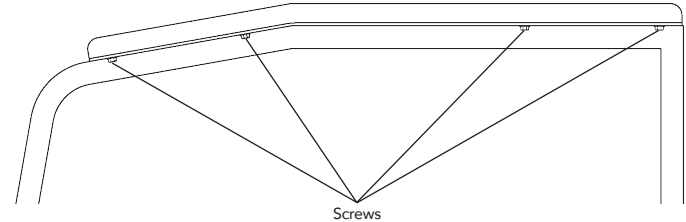


FIGURE 5.8 Replacing the Armrest Cushion

SECTION 5— MAINTENANCE (CONT)

CLEANING THE UPHOLSTERY

⚠ DANGER

When kerosene or naphtha is being used, care should be exercised. Keep away from fire and flame and use only in a well-ventilated area.

⚠ WARNING

Carefully follow cleaning instructions provided with cleaning product. **NEVER** use paint remover or any liquid brush cleaner.

NOTE: A variety of products may be used to clean the upholstery on the recliner dependent upon the severity of the stain. The following list should be helpful:

- Ordinary dirt stains: Clean upholstery with warm water and mild detergent to remove superficial soil.
- Ground-in dirt stains: Use soft bristle brush and powdered cleanser or similar detergent.
- Chewing gum: Scrape off carefully. Remove remainder with soap and water.
- Paint or shoe polish: Remove immediately. Use a white cloth dampened with soap and water.
- Excrement: Remove immediately. Clean with 1:10 mix of bleach and water. Rinse area thoroughly.

NOTE: The durability of your chair can be improved by using a quality paste wax periodically.

PLEASE NOTE: THE WARRANTY BELOW HAS BEEN DRAFTED TO COMPLY WITH FEDERAL LAW APPLICABLE TO PRODUCTS MANUFACTURED AFTER JULY 4, 1975.

LIMITED WARRANTY

This warranty is extended only to the original purchaser/user of our products. This warranty gives you specific legal rights and you may also have other legal rights which vary from state to state.

Compass Health Brands warrants the products manufactured to be free from defects in materials and workmanship for a period of three years; and one year on the upholstery and Gas Spring Recline Cylinder from the date of purchase. If within such warranty period any such product shall be proven to be defective, such product shall be repaired or replaced, at Compass Health Brands' option. This warranty does not include any labor or shipping charges incurred in replacement part installation or repair of any such product. Compass Health Brands' sole obligation and your exclusive remedy under this warranty shall be limited to such repair and/or replacement.

For warranty service, please contact the dealer from whom you purchased your ProBasics product. In the event you do not receive satisfactory warranty service, please write directly to Compass Health Brands at the address on the back cover, provide dealer's name, address, date of purchase, indicate nature of the defect.

Compass Health Brands will issue a serialized return authorization. The defective unit or parts **MUST** be returned for warranty inspection using the serial number, when applicable as identification within 30 days of return authorization date. Do not return products to our factory without our prior consent. C.O.D. shipments will be refused; please prepay shipping charges.

LIMITED WARRANTY (CONT)

LIMITATIONS AND EXCLUSIONS: THE FOREGOING WARRANTY SHALL NOT APPLY TO SERIAL NUMBERED PRODUCTS IF THE SERIAL NUMBER HAS BEEN REMOVED OR DEFACED, PRODUCTS SUBJECTED TO NEGLIGENCE, ACCIDENT, IMPROPER OPERATION, MAINTENANCE OR STORAGE, PRODUCTS MODIFIED WITHOUT COMPASS HEALTH BRANDS' EXPRESS WRITTEN CONSENT (INCLUDING, BUT NOT LIMITED TO, MODIFICATION THROUGH THE USE OF UNAUTHORIZED PARTS OR ATTACHMENTS; PRODUCTS DAMAGED BY REASON OF REPAIRS MADE TO ANY COMPONENT WITHOUT THE SPECIFIC CONSENT OF COMPASS HEALTH BRANDS, OR TO A PRODUCT DAMAGED BY CIRCUMSTANCES BEYOND COMPASS HEALTH BRANDS' CONTROL, AND SUCH EVALUATION WILL BE SOLELY DETERMINED BY COMPASS HEALTH BRANDS. THE WARRANTY SHALL NOT APPLY TO PROBLEMS ARISING FROM NORMAL WEAR OR FAILURE TO ADHERE TO THE INSTRUCTIONS IN THIS MANUAL.

THE FOREGOING WARRANTY IS EXCLUSIVE AND IN LIEU OF ALL OTHER EXPRESS WARRANTIES. IMPLIED WARRANTIES, IF ANY, INCLUDING THE IMPLIED WARRANTIES OF MERCHANTABILITY AND FITNESS FOR A PARTICULAR PURPOSE, SHALL NOT EXTEND BEYOND THE DURATION OF THE EXPRESSED WARRANTY PROVIDED HEREIN AND THE REMEDY FOR VIOLATIONS OF ANY IMPLIED WARRANTY SHALL BE LIMITED TO REPAIR OR REPLACEMENT OF THE DEFECTIVE PRODUCT PURSUANT TO THE TERMS CONTAINED HEREIN. COMPASS HEALTH BRANDS SHALL NOT BE LIABLE FOR ANY CONSEQUENTIAL OR INCIDENTAL DAMAGES WHATSOEVER.

SOME STATES DO NOT ALLOW EXCLUSION OR LIMITATION OF INCIDENTAL OR CONSEQUENTIAL DAMAGE, OR LIMITATION ON HOW LONG AN IMPLIED WARRANTY LASTS, SO THE ABOVE EXCLUSIONS AND LIMITATIONS MAY NOT APPLY TO YOU.

THIS WARRANTY SHALL BE EXTENDED TO COMPLY WITH STATE OR PROVINCIAL LAWS AND REQUIREMENTS.



Manufactured for:
Compass Health Brands Corp.
Middleburg Heights, OH 44130
www.compasshealthbrands.com
800.376.7263 • Made in China
42-PB6074_01 © 2018