

User Manual

SatinAir Low Air Loss Mattress Systems

36" Standard

Models: SA-SAF350A
SA-SSC350A



DEALER: This manual **MUST** be given to the user of the product.

USER: **BEFORE** assembling and using this product, read this manual and **SAVE** for future reference.



BEFORE TRANSFERRING OWNERSHIP OF THE PRODUCT TO A DIFFERENT USER, ALWAYS HAVE A DEALER INSPECT THE PRODUCT FOR ANY DAMAGE. IF ANY DAMAGE IS FOUND, DO NOT USE THE PRODUCT. PRODUCT MUST ALWAYS BE ACCOMPANIED WITH THESE INSTRUCTIONS AND WARNINGS. FAILURE TO HEED INSTRUCTIONS AND WARNINGS INCREASES RISK OF INJURY. DO NOT ATTEMPT TO USE THE ALTERNATING PRESSURE SYSTEM WITHOUT READING ALL INSTRUCTIONS AND WARNINGS CAREFULLY. FAILURE TO COMPLY MAY RESULT IN SERIOUS INJURY.

Symbols & Statements

NOTE

Indicates some tips and information users should be aware of.



CAUTION

Indicates correct operating or maintenance procedure in order to prevent damage to or destruction of the equipment or other property.



WARNING/DANGER

Calls attention to a potential danger that requires correct procedures or practices in order to prevent personal injury.

No AP/APG Number indicates the device is **NOT** suitable for use in the presence of flammable anesthetic mixture with air or with oxygen or nitrous oxide.

Type BF symbol indicates the degree of protection against electric shock.



E468861



READ ALL INSTRUCTIONS



FOR ADULTS ONLY

IP21

PROTECTED FROM TOUCH BY FINGERS AND OBJECTS GREATER THAN 12 MM. PROTECTED FROM CONDENSATION.



DOUBLE INSULATED



SERIAL NUMBER
GCYYMM#####



MANUFACTURE DATE
YYYY-MM-DD

IMPORTANT SAFEGUARDS & STATEMENTS

When using electrical products, especially when children are present, basic safety precautions should **ALWAYS** be followed, including the following:

READ ALL INSTRUCTIONS BEFORE USING. READ ALL INSTRUCTIONS, CAUTIONS AND WARNINGS IN THIS MANUAL PRIOR TO USE.

THEY ARE INTENDED TO KEEP YOU SAFE, PREVENT INJURY AND AVOID A SITUATION THAT COULD RESULT IN DAMAGE TO THE DEVICE OR PERSONAL INJURY.

Introduction

This manual should be used for the initial set up of the system and for reference purposes.

General

The SatinAir Low Air Loss mattress series provide alternating pressure that is suitable for pressure ulcer prevention and treatment. The SatinAir low air loss series consists of 2 models: SA-SAF350A and SA-SSC350A. They are designed to provide an affordable solution to 24-hour pressure area care.

These systems have been tested and certified for the following standards:

- ANSI/AAMI ES60601-1 (2005) + AMD1 (2012)
- CAN/CSA-C22.2 No. 60601-1 (2014)
- No. 60601-1-11: 2010

Intended Use

The SatinAir system is intended to reduce the incidence of pressure ulcers while optimizing patient comfort. It also provides the following:

- Individual home care setting and long-term care use.
- Pain management as prescribed by a physician.
- The patient may be an intended operator.

Contraindications

Patient conditions for which the application of pressure relieving therapy on an alternation system is contraindicated are as following:

- Cervical or skeletal traction
- Unstable spinal cord injuries
- Alternating pressure therapy should **NOT** be used for patients with unstable fractures, gross oedema, burns or intolerance to motion.
- Alternating pressure should **NOT** be applied to pain or pain-sensitive patients.

IMPORTANT SAFEGUARDS & STATEMENTS

DISCLAIMER

Instructions and recommendations for safe and proper use are outlined in this User's Guide. Compass Health Brands is not liable for property damage or personal injury arising out of unsafe or improper use of the device. Compass Health Brands is **NOT** responsible for injuries and/or damage resulting from any person's failure to exercise good judgment and/or common sense. If you are having any difficulty operating your device, or **DO NOT** feel capable of operating it safely and comfortably, please contact the dealer or place of purchase for assistance.

DANGER

To reduce the risk of electric shock:

- **ALWAYS** unplug this product immediately after use.
- **DO NOT** use while bathing.
- **DO NOT** place or store product where it can fall or be pulled into a tub or sink.
- **DO NOT** place in or drop into water or other liquids.
- **DO NOT** reach for a product that has fallen into water. Unplug immediately.

WARNING

To reduce the risk of burns, electric shock, fire, or injury to persons:

- This product should **NEVER** be left unattended when plugged in.
- Close supervision is necessary when this product is used by, on, or near children or physically challenged individuals.
- Use this product only for its intended use as described in this manual.
- **DO NOT** use attachments **NOT** recommended by the manufacturer.
- **NEVER** operate this product if it has a damaged cord or plug, if it is not working properly, if it has been dropped or damaged, or dropped into water. Return the product to a service center for examination and repair.
- Keep the power supply cord away from heated surfaces and open flames.
- **NEVER** block the air openings of this product or place it on a soft surface, such as a bed or couch, where the air openings may be blocked. Keep the air openings free of lint, hair, and other similar particles.
- **NEVER** drop or insert any object into any opening of hose.
- **DO NOT** use outdoors or operate where aerosol (spray) products are being used.
- Connect this product to a properly grounded outlet only.
- **DO NOT** operate this product in an oxygen-enriched environment (i.e. oxygen tent or oxygen hood) or in environments where flammable or explosive liquids or vapors may exist.
- **DO NOT** use this product with individuals using cervical or skeletal traction or with unstable spinal cord injuries.
- Use of this product **DOES NOT** replace the need for regular patient care to prevent bed sores. Consult with a healthcare provider for specific instructions.
- **DO NOT** cover pump with flammable/heat-retaining materials during use.

IMPORTANT SAFEGUARDS & STATEMENTS

(cont'd)



CAUTION

Grounding - Before any connection is made, make certain that this product is connected to a grounded electrical source via the three-wire power cord. The three-blade plug **MUST** be inserted only into a socket outlet that is properly grounded.



WARNING

- **Transfer:** Standard precautions should be taken during patient transfer.
- **Side Rails and Restraints:**



WARNING: Use or non-use of restraints, including side rails, can be critical to patient safety. Serious injury or death can result from the use (potential entrapment) or non-use (potential patient falls) of side rails or other restraints. Monitor patients frequently to guard against patient entrapment and/or falls.



WARNING: Alternating Pressure Mattresses (APM) may present an increased risk of entrapment when used in conjunction with a bed rail or similar device. Compass Health Brands recommends against using this product with a bed rail installed due to risk of serious injury or death.

- **Patient Migration:** Specialty surfaces have different shear and support characteristics than conventional surfaces and may increase risk of patient movement, sinking and/or migration into hazardous positions of entrapment and/or inadvertent bed exit. Monitor patients frequently to guard against patient entrapment and/or falls.
- **Fluids:** When used as a powered system, avoid spilling fluids on control unit. Fluids remaining on controls can cause corrosion, which may cause components to fail or operate erratically, possibly producing potential hazards for patient and staff. If spills do occur, unplug the unit immediately and clean fluid from control unit wearing rubber gloves while it is unplugged to avoid any possibility of shock. Once fluid is removed, check operation of components in area of spill.
- **No Smoking in Bed:** Smoking in bed can be dangerous. To avoid the risk of fire, smoking in bed should **NEVER** be allowed.
- This device should **NOT** be used adjacent to or stacked with other equipment.
- If pain, irritation, numbness, swelling, or redness occurs, discontinue use **IMMEDIATELY** and contact a healthcare professional.
- Ensure that the mattress is brought up to room temperature before unfolding.
- **DO NOT** place hot objects such as heating pads on top of the mattress. This may weaken the mattress material and may cause injury.
- Accessories designed by other manufacturers have **NOT** been tested by Compass Health Brands Corp. and are **NOT** recommended for use with this product.

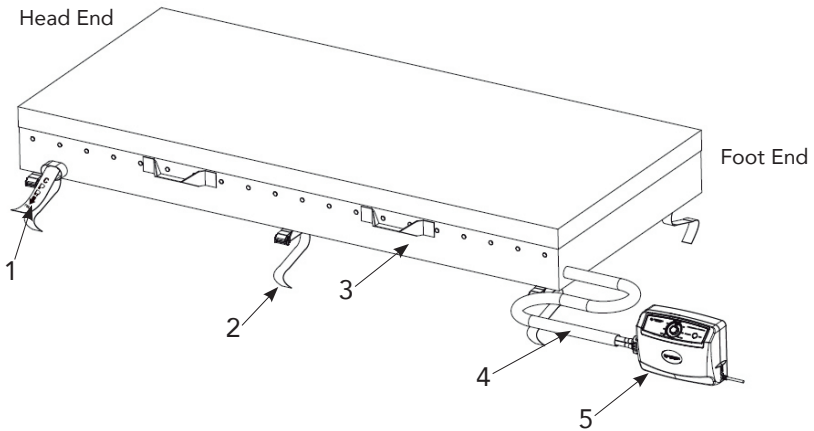


ACCESSORIES WARNING: Compass Health Brands Corp. products are specifically designed and manufactured for use in conjunction with Compass Health Brands accessories. Accessories designed by other manufacturers have **NOT** been tested by Compass Health Brands and are **NOT** recommended for use with Compass Health Brands products.

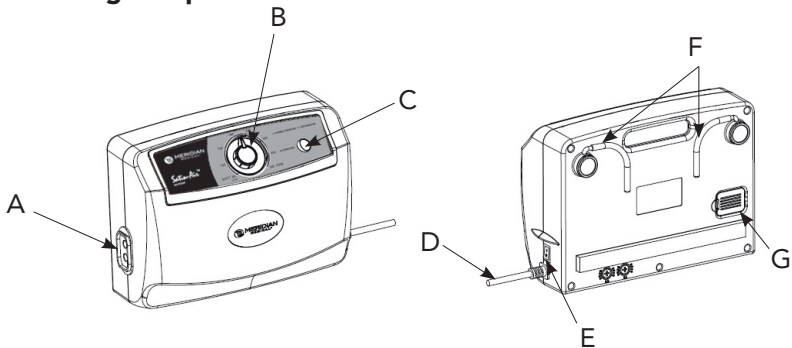
Product Description

Pump and Mattress System

1. CPR Tag
2. Fixing Straps
3. Mattress Unit
4. Air Inlet Tubing
5. Pump



Analog Pump



- A. Connector Slot
- B. Weight Setting Dial
- C. Mode Switch
- D. Power Cord

- E. Power Switch
- F. Folding Bed Frame Hangers
- G. Air Filter Cover / Air Filter

Installation

Unpack the box and check for any damage. If damaged **DO NOT USE**, please contact Compass Health Brands immediately.



WARNING: DO NOT use sharp instruments to open boxes. Damage to mattress could result.

Pump and Mattress Installation

1. Place pump (5) on horizontal surface or hang using the folding bed frame hangers (G).
2. Open the mattress on the bed. Secure it to the bed frame with the fixing straps (2). Air inlet tubing (4) must be at the foot end of the bed.
3. The air inlet tubing (4) of mattress should be placed in the foot end of the patient to minimize the noise from the pump.
4. Connect the air inlet tubing connector to the pump connector slot (A), ensure that the tubes are not kinked or twisted. Allow space for bedside rails to drop freely.
5. Turn on the pump. The power switch indicator will illuminate and the pump will begin inflating the mattress.
6. For initial inflation, it is recommended to adjust the weight setting dial (B) to the maximum patient weight and to press the static button to rapidly inflate the mattress.
7. The pressure within the mattress should be sufficient in approximately 30 minutes.
8. Cover with a cotton sheet to avoid direct skin contact and reduce friction.
9. The system is ready to use, for the final adjustments, turn the weight setting dial to the necessary pressure level as instructed by the caregiver.

NOTE: In static mode, the mattress provides a firm surface that makes it easier for patient to transfer or reposition. The static mode prevents the patient from bottoming out when in bed raise position.

Pressure Adjustment

It is recommended that the pressure-adjustment knob is turned to firm when the mattress is inflated for the first time. Users can then easily adjust the pressure level of the mattress based on their weight, desired firmness or according to the suggestion from a health care professional. If the pressure is consistently low, check for any leakage occurring in the inflation tubes/pad. Contact Compass Health Brands for replacement of any damaged mattress.



For Patients: **WARNING:**

- **DO NOT** use another pump than the electric pump supplied with the mattress. This may result in mattress failure.
- **DO NOT** change any component by yourself. If replacement or repair is needed, contact your dealer or Compass Health Brands.

Installation (cont'd)

NOTE: Before plugging in the Pump, make sure the voltage of the electrical socket is compatible with AC120V/60Hz output.



CAUTION:

- **DO NOT** position any of the equipment where it will make it difficult to disconnect the power cord from outlet.
- Keep the power cord away from patient to prevent injuries such as strangulation. Secure the power cord to prevent injuries such as tripping and to prevent the cord from getting caught in the bed frame.
- Make sure to disconnect the pump by unplugging the power cord when it is not in use.

Grounding Instructions

This product **MUST** be grounded. In the event of an electrical short circuit, grounding reduces the risk of electric shock by providing an escape wire for the electric current. This product is equipped with a cord having a grounding wire with a grounding plug. The plug must be plugged into an outlet that is properly installed and grounded.



DANGER - Improper use of the grounding plug can result in a risk of electric shock.

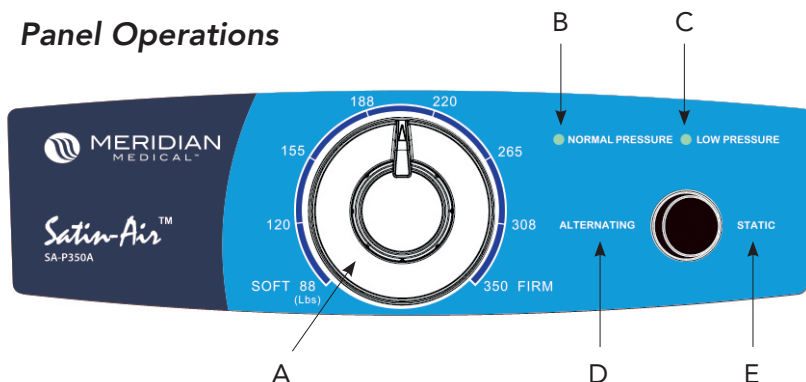
If repair or replacement of the cord or plug is necessary, **DO NOT** connect the grounding to either flat blade terminal. The wire with insulation having an outer surface that is green with or without yellow stripe is the ground wire.

Check with a qualified electrician or serviceman if the grounding instructions are **NOT** completely understood, or if in doubt as to whether the product is properly grounded.

DO NOT, *under any circumstances*, cut or remove the round grounding prong from any plug used with or for Compass Health Brands products. Some devices are equipped with three-prong (grounding) plugs for protection against possible shock hazards. Where a two-prong wall receptacle is encountered, it is the personal responsibility and obligation of the customer to contact a qualified electrician and have the two-prong receptacle replaced with a properly grounded three-prong wall receptacle in accordance with the National Electrical Code. If you must use an extension cord, use only a three-wire extension cord having the same or higher electrical rating as the device being connected.

Operation

Panel Operations



- A. **Weight Setting Dial (Pressure-adjustment knob)**
Use the patient weight as a guide and then adjust the firmness to set the required pressure level.
- B. **Normal Pressure Indicator**
A visible indicator (green) shows the pressure has reached the preset or user-defined level.
- C. **Low Pressure Indicator**
A visible alert shows the pressure has dropped below the minimum pressure setting. Consult the manufacturer if the low-pressure indicator illuminates.
- D. **Alternating Mode**
Press to set the air mattress in alternating therapy.
- E. **Static Mode**
Press to set the air mattress in static therapy.

Emergency CPR Operations

CPR **MUST** be performed on the firm surface. Therefore, if an emergency CPR situation occurs with the patient on the mattress, the mattress must be quickly deflated. This is done by quickly pulling on the CPR tag located at the head of the mattress on the patient's right side. The quick connector found from the pump unit can also be disconnected to fasten deflation.

Cleaning & Maintenance

This section describes the procedure to clean and decontaminate the pump and mattress. It is important to follow these procedures before using the system. The cleaning tasks should be done once a week to maintain personal hygiene. **ALWAYS** disconnect the power to the pump before cleaning or performing maintenance to avoid personal injury or damage to the system.

Cleaning the Pump

BEFORE cleaning, unplug the system from the electrical socket.

- **DO NOT** immerse or soak pump in water.
- Check for external damage and move the pump to clean, flat and level work surface where you will be able to clean the pump.
- Place the pump on the work surface.
- Spray a cloth with a quaternary ammonium solution first and wipe the outside of the case and faceplate.
- **DO NOT** spray any cleaning solution directly on the surface.
- **DO NOT** use a Hypocarbonate or Phenolic-based cleaning solution as this may cause damage to the case.
- **DO NOT** allow excess cleaning solution on faceplate or control panel. (If solution gets inside the pump, damage will occur.)
- Wipe with a clean cloth and make sure all areas are clean and dry (top, bottom and both sides).
- After the pump is thoroughly cleaned and dried, proceed to plug in the pump and test to see if it runs normally.
- Unplug the pump and store with proper identification tag.

Cleaning the Mattress

To clean, use a mild detergent to clean the mattress surface; for disinfection, use a cloth dampened with 75% alcohol to disinfect the mattress.

To maintain the mattress, every 3 months check that all hose and pump connections are secure. Ensure that all hoses are straight and are **NOT** kinked.

DO NOT immerse the pump in water and **DO NOT** heat or steam any part or component in an autoclave. Allow the mattress to fully air dry on a flat surface area after cleaning, away from exposure to the sun. **ALWAYS** ensure the pump and/ mattress are fully dry before use.

NOTE: Patient may clean the product but not service the product. If service is needed, please contact the dealer or manufacturer for assistance.

General Maintenance

- Regularly check the power cord and plug to inspect for abrasions or excessive wear. If damage is found, **DO NOT** use.
- Regularly inspect the mattress for signs of wear or damage.
- Ensure mattress and air tubes are connected together correctly.
- Plug in the pump and check the airflow from the hose connection port. Regularly inspect the air hose for any kinks or breaks.
- Keep the pump air openings free of lint, hair, and other similar particles as debris can inhibit the function of the device.

Cleaning & Maintenance (cont'd)

Air Filter Maintenance

To maintain the pump, after using for some time (usually 3 months, depending on operating environment), it is recommended to replace the air filter located inside the enclosure base (see page 5).

Ensure the full unit is in good working condition by checking if the power switch is illuminated and that there is constant airflow out of the pump when the power is on.

Troubleshooting

| Problems | Solutions |
|-------------------------------------|---|
| The pump doesn't work | <ol style="list-style-type: none"> 1. Check if the plug is inserted firmly into the outlet. 2. Turn on the power switch again. <ul style="list-style-type: none"> • If the power indicator is ON and the pump still doesn't work, contact your local dealer immediately. • If the power indicator is OFF, there may be a faulty outlet. Try to connect the power cord to another outlet. If the power indicator is still OFF, contact a qualified electrician for main power check. |
| Incomplete inflation (Low pressure) | <ol style="list-style-type: none"> 1. For a quick check, adjust the pressure to Firm. 2. Check to see if the inflation tubes connected to the pump are twisted or disconnected, or any leakage is occurring. <ul style="list-style-type: none"> • Always keep the tubes straight. • Change the tubes and/or connectors if there is any leakage. • Ensure each single cell is not broken, torn or cut. |
| Power Failure | <ol style="list-style-type: none"> 1. Check if the power cables are firmly plugged into the socket. 2. Check if there are damages to the power cables. 3. Check if there are damages to the socket. 4. Check the electricity source to ensure it is working. |

NOTE: Mattresses include vented cells that allow a small amount of air to escape from that cell. This venting maintains air flow when the mattress is in use. This may help prevent moisture build-up and increase user comfort.

Environmental Requirements & Storage/Handling

Operating Conditions

- Ambient Temperature: 5°C ~ 40°C
- Relative Humidity: 15% ~ 90%, non-condensing
- Atmospheric pressure: 700hPa to 1060hPa

Storage and Shipping Conditions

- Ambient temperature: -25°C ~ 70°C
- Relative Humidity: 10% ~ 90%, non-condensing
- Atmospheric pressure: 700hPa to 1060hPa

Environmental Requirements & Storage/Handling (cont'd)

Handling and Storage

- Remove all hoses and sheets.
- Completely deflate the mattress.
- To store, lay the mattress out flat and upside down.
- Roll from the foot end towards the head end; the foot-end strap can then be stretched around the rolled mattress to prevent unrolling.
- **DO NOT** fold, crease, or stack the mattress.

Disposal

Dispose in accordance with local laws and regulations.

Specifications

| SatinAir Analog Pump, Model SA-P350A | |
|--------------------------------------|--|
| Power Supply: | 120V / 60Hz, 1A |
| Power Cord: | 2-prong double insulated cord, 4.5M, non-detachable |
| Air Output: | 9 liter/min |
| Weight Capacity: | 350 lbs. |
| Pressure Range: | 30 mmHg – 60 mmHg (+/- 10 mmHg) 88lbs – 30mmHg 120lbs – 34mmHg 155lbs – 38mmHg 188lbs – 42mmHg 220lbs – 46mmHg 265lbs – 50mmHg 308lbs – 55mmHg 350lbs – 60mmHg |
| Cycle Time: | 10 min |
| Mode: | Alternate/Static/Visual Indicator |
| Size: | 11.5" (L) x 4.8" (W) x 8" (H) |
| IP Rating: | IP21 |
| Type BF: | Use directly on human body with adequate protection from electrical shock |
| Safety Standards: | UL C/US - E468861 |

| SatinAir Low Air Loss Mattresses | | |
|----------------------------------|-------------------------|----------------------------|
| Mattress Model: | SA-MSC08 | SA-MAF53 |
| Size: | 80"x 36"x 8" | 80"x 36"x 8" |
| Top Cover: | Quilted nylon top cover | Quilted nylon top cover |
| Base Cover: | 70D Nylon/PVC | 70D Nylon/PVC |
| Mattress Design: | 20 cells Nylon/PVC | 17 cells Nylon/PVC |
| | 8" single chamber cell | 5" air cell + 3" foam base |
| | 3 static head cells | 3 static head cells |
| | Low air loss | Low air loss |
| | Standard connectors | Standard connectors |

Limited Warranty

Your Meridian Medical APM system is warranted to be free of defects in materials and workmanship for one year (12 months) for the pump and mattress.

This device was built to exacting standards and carefully inspected prior to shipment. Your Meridian Medical APM system is warranted to be free of defects in materials and workmanship. If within the limited warranty period, the product proves defective due to material or workmanship, the product will be repaired or replaced, at the option of Compass Health Brands.

This limited warranty does not cover device failure due to owner misuse or negligence, normal wear and tear or failure to service the product as indicated within this user manual. The limited warranty does not extend to nondurable components, which are subject to normal wear and need periodic replacement (e.g. filters, covers, connectors, etc.).

This limited warranty shall not apply to serial numbered products if the serial number has been removed or defaced, or to defects or damages caused using unauthorized parts, attachments or repairs, negligence, accident, or any circumstance beyond Compass Health Brands' control, such as improper operation, maintenance or storage.

If you have any questions about your Meridian Medical APM system or this limited warranty, please contact Compass Health Brands or an authorized Compass Health Brands dealer.

COMPASSHEALTH

Manufactured for:

Compass Health Brands Corp.

6753 Engle Road

Middleburg Heights, OH 44130

www.compasshealthbrands.com

(800) 376-7263 • Made in China

SA-S350A_IFU_03_250617 © 2025