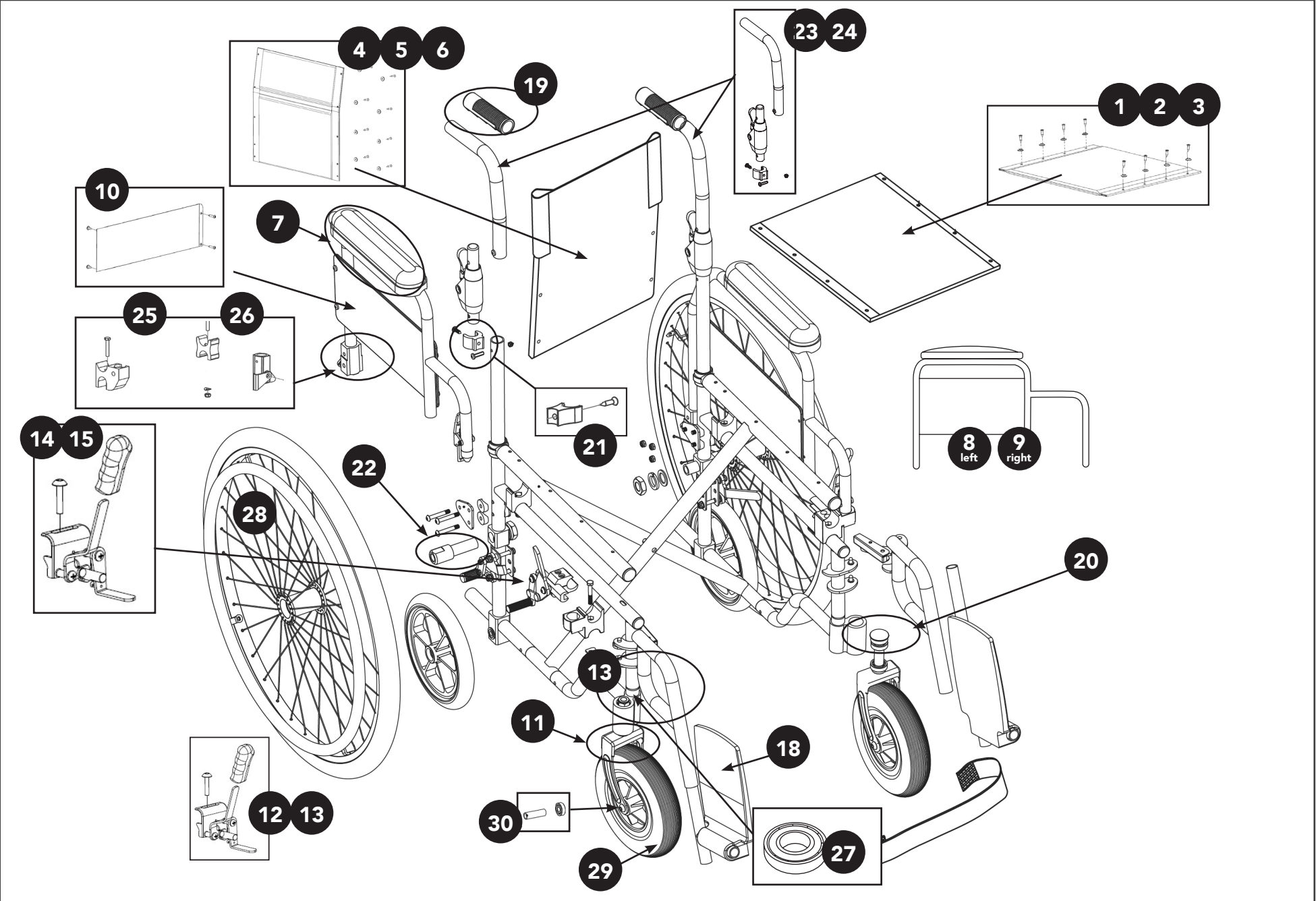


K4T WHEELCHAIR



K4T WHEELCHAIR

Fig.	Description	MH Part No.
1	Probasics K4 Transformer WC 16" Seat Upholstery w/Hardware	X1WCT4IM01
2	Probasics K4 Transformer WC 18" Seat Upholstery w/Hardware	X1WCT4IM02
3	Probasics K4 Transformer WC 20" Seat Upholstery w/Hardware	X1WCT4IM03
4	Probasics K4 Transformer WC 16" Back Upholstery w/Hardware	X1WCT4IM04
5	Probasics K4 Transformer WC 18" Back Upholstery w/Hardware	X1WCT4IM05
6	Probasics K4 Transformer WC 20" Back Upholstery w/Hardware	X1WCT4IM06
7	Probasics K4 Transformer WC Desk Length Armrest Pads, Pair w/Hardware	X1WCT4IM07
8	Probasics K4 Transformer WC Armrest Assembly, Desk, Left	X1WCT4IM08
9	Probasics K4 Transformer WC Armrest Assembly, Desk, Right	X1WCT4IM09
10	Probasics K4 Transformer WC Skirt Guard, Pair w/Hardware	X1WCT4IM10
11	Probasics K4 Transformer WC Front Fork Assembly w/Stem Bearings	X1WCT4IM11
12	Probasics K4 Transformer WC Left Wheel Lock for Large Rear Wheel	X1WCT4IM12
13	Probasics K4 Transformer WC Right Wheel Lock for Large Rear Wheel	X1WCT4IM13
14	Probasics K4 Transformer WC Left Wheel Lock for Small Rear Wheel	X1WCT4IM14
15	Probasics K4 Transformer WC Right Wheel Lock for Small Rear Wheel	X1WCT4IM15
16	Probasics K4 Transformer Wheel Lock Extension (not pictured)	X1WCT4IM16
17	Probasics K4 Transformer Anti Tippers (not pictured)	X1WCT4IM17
18	Probasics K4 Transformer Swing Away Footrests	X1WCT4IM18
19	Probasics K4 Transformer Hand Grips, Pair	X1WCT4IM19
20	Probasics K4 Transformer Stem Dust Cap for Fork	X1WCT4IM20
21	Probasics K4 Transformer Seat Rail Guide, Pair	X1WCT4IM21
22	Probasics K4 Transformer Rear Wheel Quick Release Axle	X1WCT4IM22
23	Probasics K4 Transformer Left Cane w/Flip-Back Hardware	X1WCT4IM23
24	Probasics K4 Transformer Right Cane w/Flip-Back Hardware	X1WCT4IM24
25	Probasics K4 Transformer Right Side Flip-Back Arm Rest Detachable Guides, Front and Rear w/Hardware	X1WCT4IM25
26	Probasics K4 Transformer Left Side Flip-Back Arm Rest Detachable Guides, Front and Rear w/Hardware	X1WCT4IM26
27	Probasics K4 Transformer Wheelchair Fork Stem Bearings	X1WCT4IM27
28	Probasics K4 Transformer Rear Wheel w/Bearing	X1WCT4IM28
29	Probasics K4 Transformer Front Caster Wheel w/Bearing	X1WCIM04
30	Probasics K4 Transformer Caster Axle Bolt w/Nut	X1WCIM12