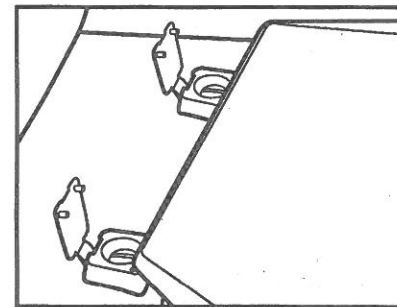
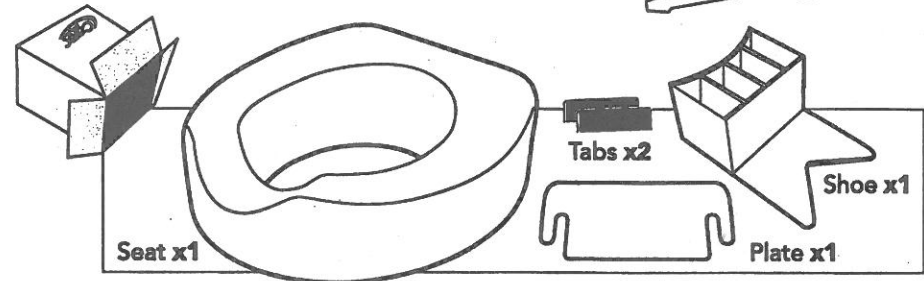
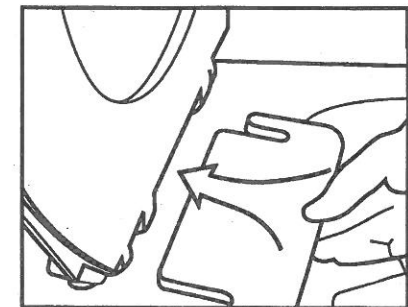




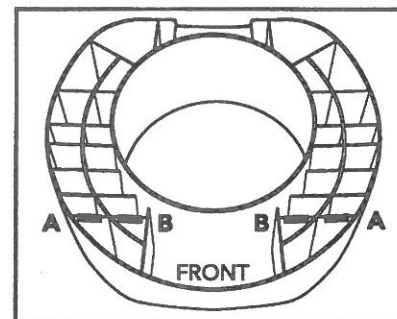
**B32000**  
Quick-Lock™ Raised Toilet Seat  
Locking Plate Installation Instructions:



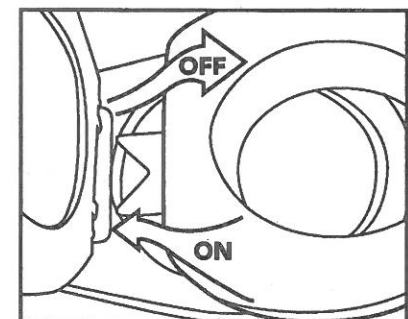
**1** Use a screw driver to loosen the toilet seat screws – you do not need to completely remove the screws



**2** Slide the locking plate between the toilet and the toilet seat  
**3** Firmly tighten the toilet seat screws



**4** Slip the enclosed tabs onto the bottom framework making sure they come in contact with the surface of the toilet rim by using outer position A or inner position B



**5** Insert the Quick-Lock™ Raised Toilet Seat with insert shoe into the locking plate