

Full-Electric Bed

User Manual & Entrapment Guide

For use with Item #'s

HBFEBED

HBFEBE

HBFESS



This manual should be read in its entirety by bed users, care givers and maintenance personnel prior to assembly or use.

TABLE OF CONTENTS

User Manual	3 — 16
Warnings	3 – 5
Special Notes	5
Bed components	6
Assembly Instructions	7– 13
Hand Pendant Operation	14
Head/Footboard Optional Height Adjustment	15
Maintenance and Safety Checks	15
Electronics	15
Bed Frame and Sleeping Surface	15
Cleaning	15
Lubrication and Mechanical	15
Bed Schematic	16
Specifications	17
Warranty	17

WARNINGS.

PLEASE READ ALL WARNINGS/CAUTIONS BEFORE USE

- **DO NOT** use in oxygen-enriched environments or near flammable or explosive gases.
- Possible fire hazard when used with oxygen administering equipment other than nasal or masked type.
- When using nasal or masked type administering equipment, oxygen or air tubing **MUST** be routed and secured properly to ensure that tubing does **NOT** become entangled and eventually severed during normal operation of Manual/ Electric bed.
- Liquids can cause electrical hazards. In the event of a spill in or around the bed, immediately unplug the bed and allow the area to dry thoroughly before plugging in the bed. If a spill occurs, **UNPLUG** the bed immediately. Clean up spill and allow bed or area to dry thoroughly before using the electric controls again.
- This bed is designed for adults only. **DO NOT** use with or for children. Children must be closely supervised at all times when near the bed.
- Users who are unable to understand or follow these instructions and warnings or who have limited physical capabilities should be supervised or assisted while using the bed.
- **NEVER PERMIT ANY ONE UNDER THE BED AT ANYTIME.**
- When operating or moving the bed, **ALWAYS** ensure that the individual utilizing the bed is positioned properly within the confines of the bed.
- **ALWAYS** keep clear of moving parts when adjusting the bed. Patient should be centered on the bed with extremities within the mattress area. **DO NOT** allow extremities to extend beyond the sides or between bed rails.
- **DO NOT** use this bed for patient transport. **DO NOT** move the bed while occupied, otherwise injury or damage may result.
- The maximum safe working load of this bed (patient, mattress, bedding, and accessories) is 450lbs/204kg. The maximum user weight is 350lbs/158kg. **ALWAYS** observe the weight limits.
- **DO NOT** stand or climb on bed.
- Bed is intended for a single occupant. **NEVER** allow more than one person to sit or lay on bed at the same time.
- To prevent patient injury due to falls, **ALWAYS** leave bed at lowest height when the patient is unattended.
- Inappropriate handling of the power cord can create an electrical hazard.
 - Regularly inspect cord and plug for damage such as kinking or fraying; **DO NOT** use if cord or plug is damaged, contact your dealer for repair or replacement.
 - DO NOT** unplug by pulling on the cord, this may damage the plug connection. **NEVER** pull, jerk, twist, or severely bend the cord, especially near the plug connection.
 - DO NOT** use this product with power strips or extension cords.
 - DO NOT** overload wall outlets. **ALWAYS** connect this product to an appropriate voltage outlet; **DO NOT** use with a DC to AC converter.
- **ALWAYS** take care when routing power cords for accessories or other equipment through the space under the bed. Cords should be secured such that they cannot become pinched or damaged by moving parts of the bed. Damaged cords should **NOT** be used.
- It is the responsibility of the patient's physician and caregiver to assess the patient and determine which devices and accessories are needed to support and protect the patient, while limiting risk to the patient. Use of fall protection, pressure management, and transfer assistance mechanisms should be considered as appropriate.



DANGER! Entrapment may cause patient injury or death.

warnings continued on next page

WARNINGS.

- **DO NOT** use this bed with incompatible mattresses or bed rails. Refer to page 17 of this manual or contact your Compass Health dealer for assistance with purchasing compatible models.
- After bed assembly or maintenance, test to ensure all sections are securely in place and all electrical components operate as intended **BEFORE** use.
- **ALWAYS** lock casters to prevent the bed from moving while occupied. Even with casters locked, some floor surfaces may allow the bed to move slightly; use of the bed on such floor surfaces must be evaluated by the care provider.
- **DO NOT** attempt to operate the bed controls if the bed is not fully assembled, as this may cause damage to the bed components.
- After the bed has been fully assembled, **ALWAYS** test to make sure that all sections of the bed are properly and securely in place before using.
- **ALWAYS** use caster locks except when moving the bed.
- Body weight should be evenly distributed over the surface of the bed. **DO NOT** lay, sit or lean in such a way that your entire body weight is placed only on raised head or foot sections of the bed. This includes when assisting the user in repositioning or transferring in or out of bed.
- **DO NOT** permit more than one person on/in the bed at any time.
- **DO NOT** use outdoors.
- If the unit is not working properly, discontinue use and call a qualified technician to examine the unit and repair it.
- Keep all moving parts, including the main bed frame, mattress deck (head and foot springs/sections) and all drive shafts free of obstruction (i.e. blankets/sheets, heating blankets/pads, tubing, wiring, etc. and other types of products using electric cords which may get tangled around the bed, side rails or legs) during operation of the bed.
- Keep the product a minimum of 12" away from any direct heat source. Make sure head and foot springs/sections are connected securely to the bed ends before use.
- **DO NOT** use the bed to transport a person in or on the bed. Otherwise, injury or damage may result.
- When transferring into or out of the bed, **ALWAYS** use lock the locking caster(s). Inspect for correct locking action on caster locks before using bed. Even with casters correctly locked, some floor surfaces, such as tile or wood, may allow the bed to move under some conditions. Use on floor surfaces such as these **MUST** be evaluated by the care provider.
- The initial set up of this bed must be performed by a qualified technician.
- The total weight limit of the ProBasics full-electric bed (including accessories, mattress, occupant and any other person/object positioned on the bed) is 450 pounds (204 kg.); 350 pounds (158 kg) patient weight.
- A safety feature of this bed model includes protection against overheating caused by excessive or extended periods of operation. Depending on the duration, this will include multiple/repeated adjustments or the use of multiple functions at the same time. To ensure trouble-free operation, **ALWAYS** allow a slight pause between multiple adjustments and **AVOID** pressing multiple function buttons at a time. If thermal protection is activated, the bed will not respond to pendant commands. To resolve this, release the pendant button and let the bed sit for several minutes. This will reset the protection function time to and restore bed function. Depending on the degree of the overheating, this may take up to 30 minutes.
- **ALWAYS** remove manual crank(s) before performing electronic functions or using the bed. If not removed, the crank(s) will turn when the motor is on and this could cause personal injury or damage to the bed. **ALWAYS** unplug the bed from the electrical outlet before cleaning.
- **DO NOT** open assemblies such as the motors, pendant, junction boxes or gear boxes. There are no user serviceable parts. Only qualified

WARNINGS.

technicians are permitted to repair these parts. If unqualified individuals perform any work on these beds, the warranty is void.

- After use, some permanent deformation of the bed under load may occur. This is normal and expected unless it affects the function of the bed. Slight sagging or bending at the center of the bed after use does not indicate a safety risk/defect.
- **DO NOT** place pendant under or between objects. This may cause the unintentional activation of the bed features and may cause injury or damage.
- If a button on the pendant does not release or sticks, the bed spring will not stop moving. Inspect the covering of the bed's control panel and the patient control panel to assure that the covering is not cracked or damaged.
- **ALWAYS** keep all electrical cords away from heated or hot surfaces.
- **NEVER** operate if the unit has a damaged cord or plug. If the bed is not working properly, discontinue use and call a qualified technician for examination and repair.
- Refer all servicing to qualified personnel **ONLY**. Grounding reliability depends upon a properly grounded wall outlet. **ALWAYS** unplug the bed from the outlet before servicing or performing any maintenance on the electric bed.
- **DO NOT** unplug the power cord from the junction box. Damage to cord will result.
- Use caution when disconnecting the pendant, **DO NOT** press pendant buttons.
- When bed is not to be used for an extended period, unplug electric bed from the wall outlet.

SAVE THESE INSTRUCTIONS

SPECIAL NOTES

NOTICE:

- The information contained in this document is subject to change without notice.



- **WARNINGS/CAUTION** notices used in this manual apply to hazards or unsafe practices which could result in personal injury and/or property damage.
- Check all parts for shipping damage and test before using. In case of damage, do **NOT** use.
- Contact the dealer for further instruction.
- Your Electric bed has been engineered to provide you with reliable operation.
- The bed has been thoroughly tested and inspected prior to shipment.

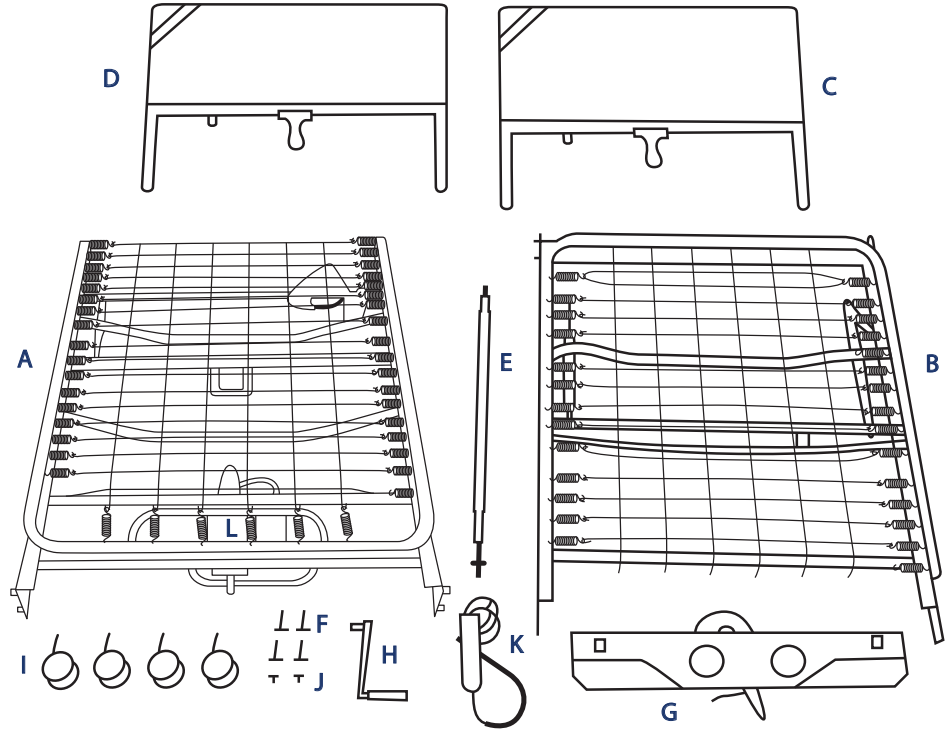
INDICATIONS & CONTRAINDICATIONS FOR USE

- This bed is intended for use in Homecare settings, for use with adults (persons weighing at least 88 lbs/40kg, at least 57 in/146cm tall, with a BMI of at least 17).
- This bed is **NOT** intended for use in a hospital or long-term care facilities. This bed is **NOT** intended for use with children.
- This bed is **NOT** intended for patient transport – the bed should **NOT** be moved while occupied.
- This bed is intended for use in Application Environment 4, as defined in IEC 60601-52-2-2015

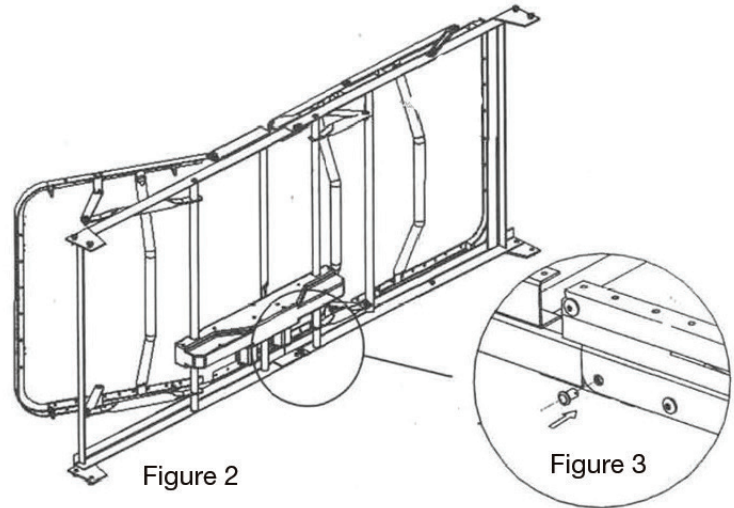
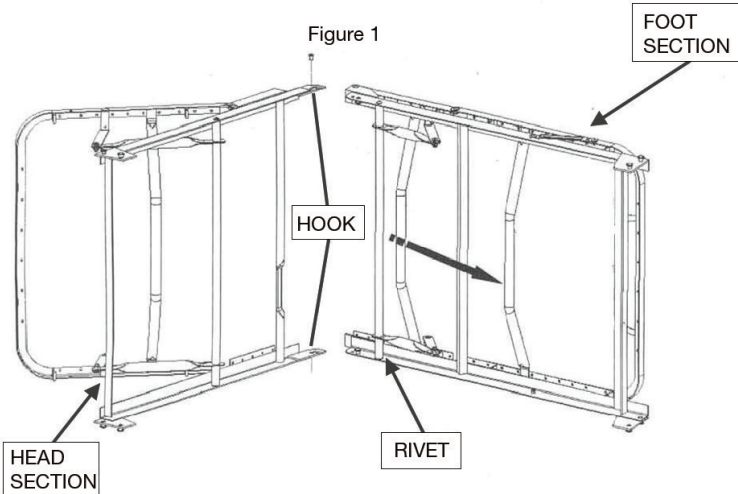
Confirm that all parts are present.

- A.** Foot Spring
- B.** Head Spring
- C.** Head Board
- D.** Foot Board
- E.** Hi/Low Shaft
- F.** Locking Pins (4)
- G.** Motor
- H.** Hand Crank* (attached to foot board for shipping)
- I.** Casters (4) - 2 locking, 2 non-locking
- J.** Spring Clips (2)
- K.** Hand Pendant
- L.** Full Electric Motor

**Hand crank only raises/lowers the bed height during a power outage.*

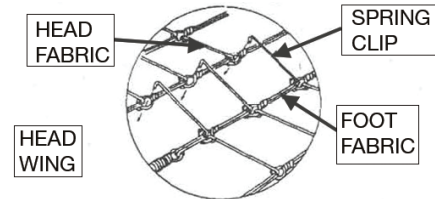


FRAME ASSEMBLY INSTRUCTIONS



NOTE: Spring fabric not shown for clarity

- Lay the head and foot section on their sides approximately 90° to each other (See Figure 1).
- Slide the sections together until the hook on the head section catches the rivet on the foot section.
- Straighten sections and position as shown in figure 2.
- Position head wing as shown.
- With the two sections level, install a frame lock pin into each side of the frame as shown in figure 3.
- Be sure to properly install frame lock pins before use



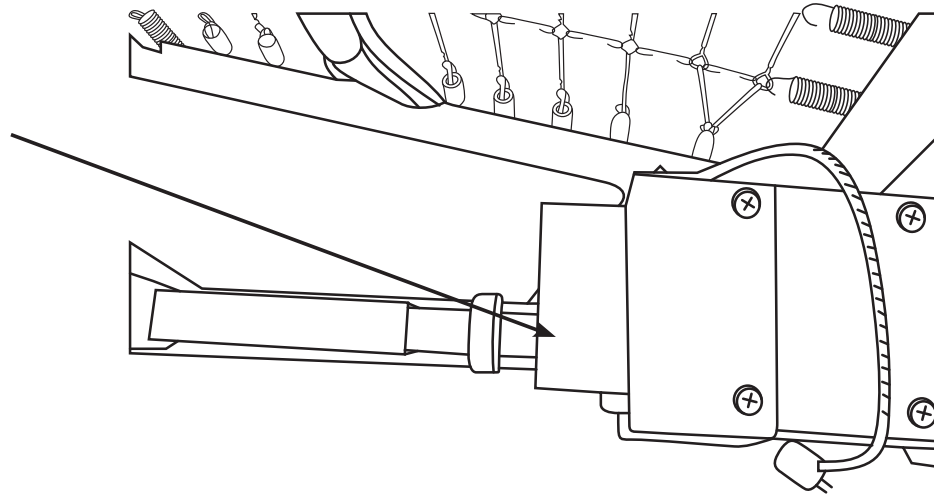
WARNINGS: Lock pins must be installed to ensure safe operation/use

- Attach fabric halves together using spring clips, which are attached to the foot fabric.

ASSEMBLY INSTRUCTIONS CONT.

Figure 4

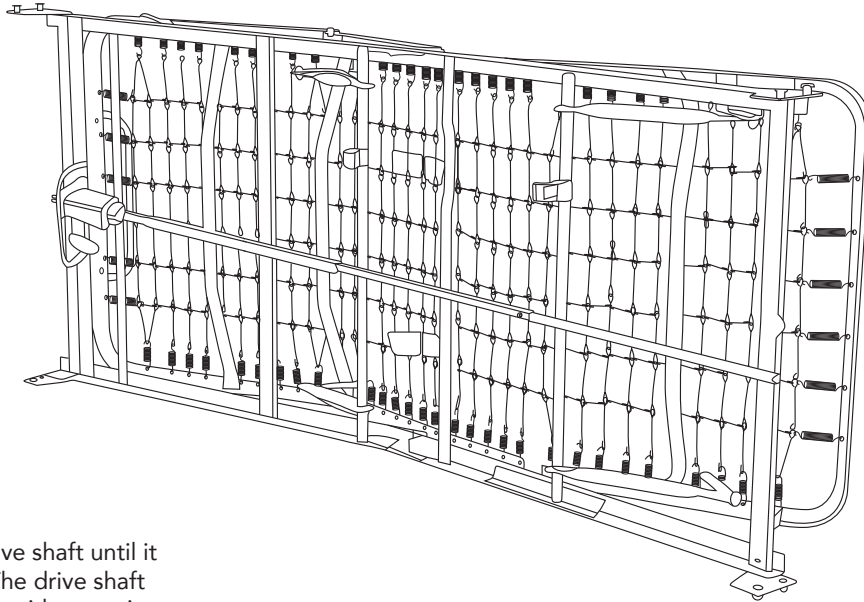
Spring-loaded
coupler



- Install Hi/Low drive shaft to the Hi/Low motor located on the foot section.
- Insert the spring-loaded side of the drive shaft into the lower receptacle as shown.

ASSEMBLY INSTRUCTIONS CONT.

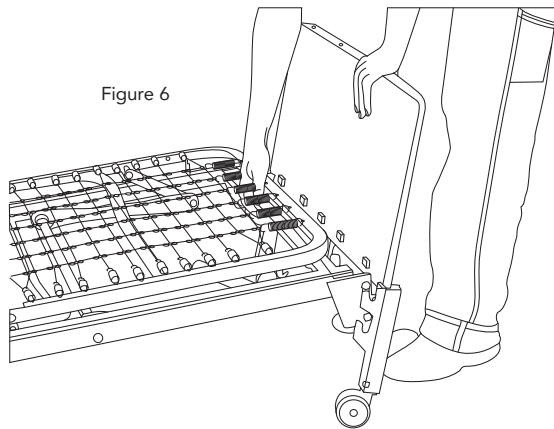
Figure 5



- With bed on side extend the drive shaft until it reaches the full length of bed. The drive shaft adjustment holes are marked for either semi or full beds. Choose the full bed hole.

ASSEMBLY INSTRUCTIONS CONT.

Figure 6



- Install the casters by inserting the castor stem into the leg receptacle. **ALWAYS** install 1 locking and 1 non-locking castor on each bed end. **ALWAYS** install locking casters diagonally from each other.
- Attach the head board and foot boards.
- **ALWAYS** ensure that the 2 hooks on each side of the head and foot boards are fully engaged and seated securely with the 2 locking rivets on each side of the bed frame.

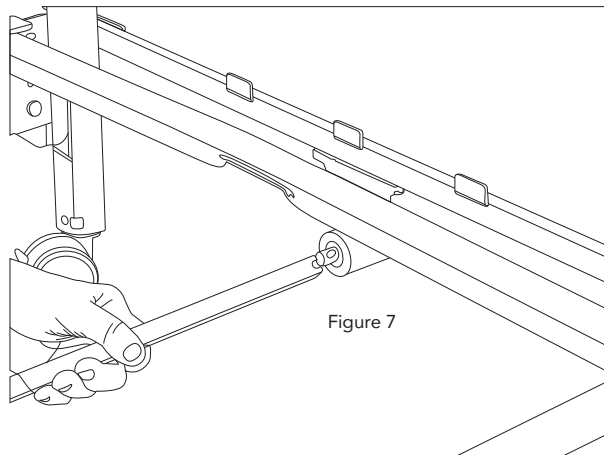


Figure 7

- Install the head end of the drive shaft as shown.

ASSEMBLY INSTRUCTIONS CONT.

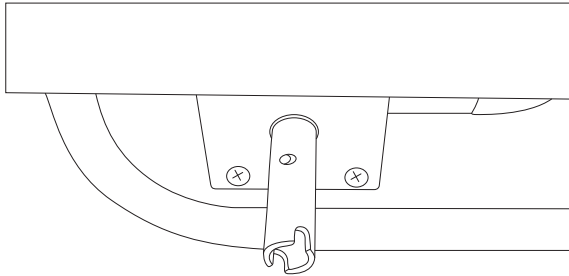


Figure 8

- Release the spring-loaded coupler on the hi/low motor and insert the drive shaft into the gear box located on the footboard.

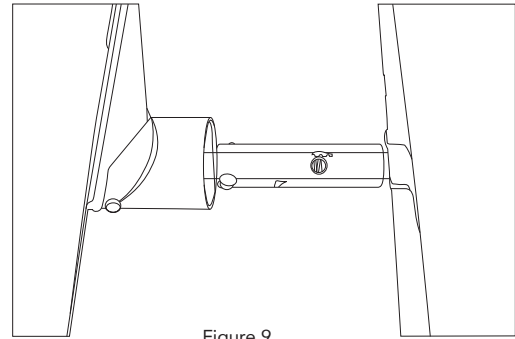


Figure 9

- Ensure the slot on the spring-loaded coupler fully engages on the roll pin on the foot board gearbox.

MOTOR INSTALLATION

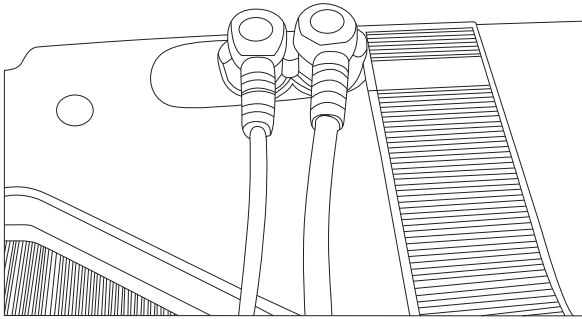


Figure 10

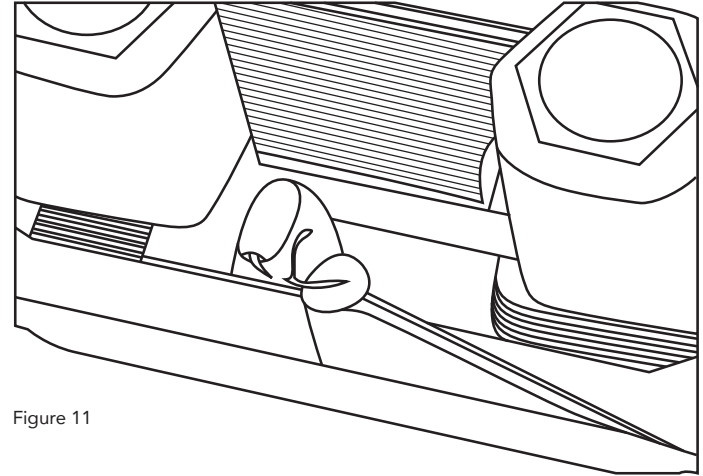


Figure 11

- For easier set-up, prior to installing the motor, plug both the hand pendant and Hi/Low motor cables into motor as shown.



WARNING:

NEVER use mattresses that **DO NOT** match the width (36") and length (80") of the bed frame. Using mattresses that are of smaller or larger dimensions may result in entrapment and personal injury or death.

- Connect two 9V batteries (not included) to the battery clip located on the motor. The battery clip is located in a recess under the motor cover. With a charged battery installed, the motor can be operated in the event of a power outage.

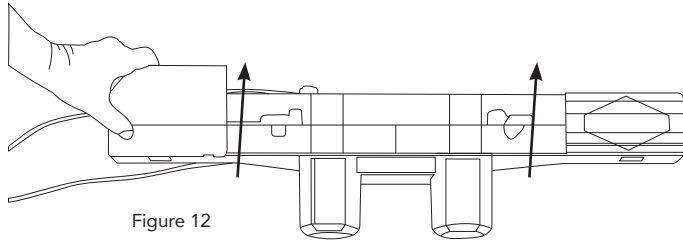


Figure 12

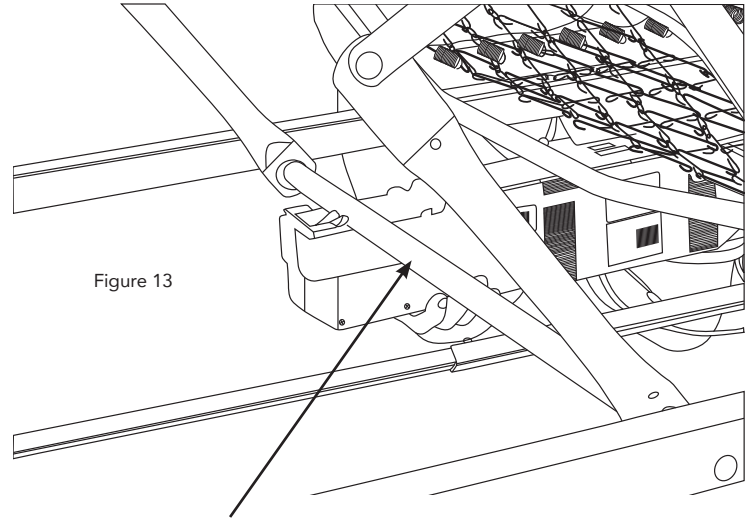


Figure 13

Actuator Rod

- To install motor, remove both locking caps on top of the motor.
- Align the motor with the actuator rod and raise the head spring to the highest position. The motor will be pulled towards the bed and lock on the actuator rod. Repeat for foot section.
- After the motor is fully installed, slide both locking covers back onto the motor.
- Once fully assembled and checked, plug the unit in to test operation and ensure the bed is working properly.
- Before placing a mattress on the assembled bed frame, flip up the mattress guard at the foot of the bed frame to reduce mattress movement when in use.

BED OPERATION

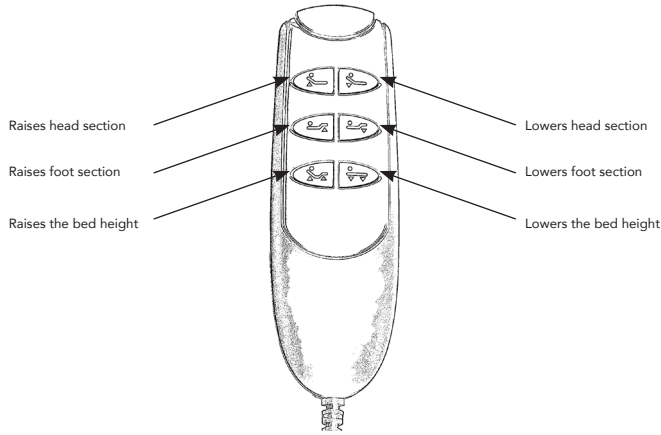


Figure 14

Battery Operation

The full electric bed can be lowered in an emergency when equipped with two 9V batteries (not included). Battery-powered operation can only be used once and only be used to lower the head and foot sections of the bed. Replace the 9V batteries annually or after battery operation has been used to lower the bed.

Hand Crank

The full-electric bed is equipped with a removeable manual hand-crank that may be used when either electric or battery power is unavailable. Hand crank only raises or lowers the bed deck in the event of a power outage. It will not raise or lower the head or foot springs.



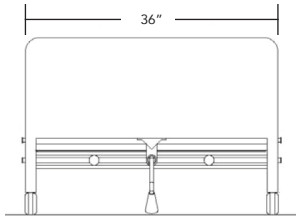
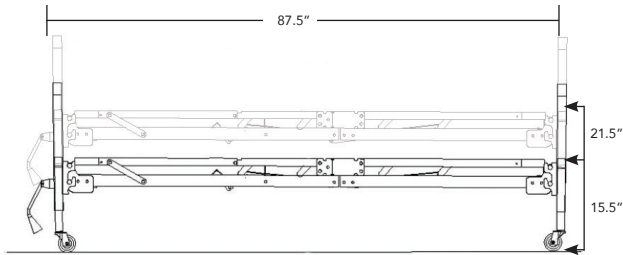
WARNING

ALWAYS remove the manual hand-crank **BEFORE** performing electric operation. **DO NOT** operate the electric functions with the manual hand-crank installed on the bed or product damage and personal injury may occur.

Bed Transfers

When transferring in or out of the bed, **ALWAYS** ensure the locking casters are in the locked position. The bed height may be adjusted either up or down, as required, to make transfer safer and easier for the bed user.

HEAD/FOOT BOARD OPTIONAL HEIGHT ADJUSTMENT



MAINTENANCE AND SAFETY CHECKS

To be performed once per year or between placements by a qualified technician.

Electronics

Check all controls to make sure all functions work properly.

- Power cord
- Pendant cord
- Check to make sure all wires are routed and attached properly so they do not interfere with any moving parts.
- Check to make sure all plugs are fully inserted or attached.
- Replace 9V battery annually or after each use.

Bed Frame and Sleeping Surface

Visually check all welds

- Head section
- Knee section
- Main Frame
- Check joints between sleeping surface sections for loose fasteners.

Cleaning

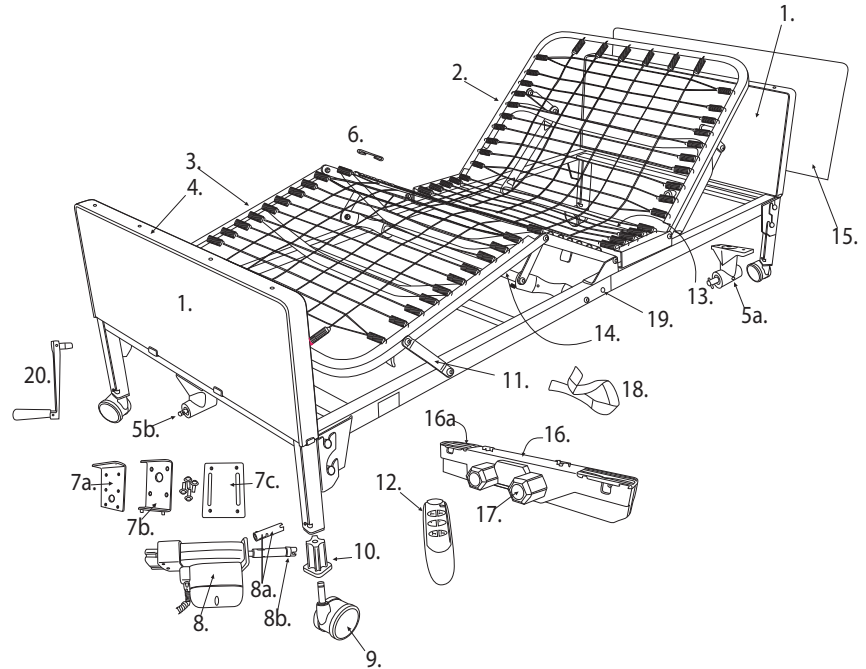
The metal parts of the bed are covered with a baked epoxy coating. Clean all coated parts with mild detergent and warm water. Periodically raise head and feet sections of the bed and remove dust from frame. Also, periodically remove the mattress and clean mattress deck. Perform cleaning as needed or between placements.

Lubrication and Mechanical

- Lightly grease all actuator screw threads with white lithium grease.
- Lubricate all caster roller and swivel bearings with light machine oil.
- Check all bolts and tighten as needed.

PROBASICS FULL ELECTRIC BED

1. Headboard
Footboard
2. Head spring
3. Foot spring
4. Headboard panel frame
5. Footboard panel frame
 - a. Headboard gear assembly
 - b. Footboard gear assembly
6. Sleep surface hook
7. Motor brackets (a, b, c)
 - a. Motor shaft
 - b. Hi/Low Shaft Connector
9. Caster set (2 locking/2 non-locking)
10. Caster receptacle
11. Frame linkage
12. Hand control
13. Head actuator bar
14. Foot actuator bar
15. Footboard panel
Headboard panel
16. Motor
 - a. Motor mount
17. Motor Cap
18. Motor Strap
19. Bed locking pin
20. Hand crank



SPECIFICATIONS

Electrical	Motors are ETL Approved
Weight Capacity	Distributed Total - up to 450 lbs. / Patient up to 350lbs.
Construction	Frame: 11ga (.120) hot rolled steel. Sleeping surface: Zinc plated steel wire and coils
Finish	Durable Powder Coating
Overall Bed Dimensions	87.5" long X 36" wide
Mattress Deck Height (with no mattress)	Minimum – 15.5" Maximum – 21.5"
Bed Frame Weight (assembled)	169 lbs.
Maximum angles of the mattress platform	Head: 75° Foot: 30°
Mattress Requirements	Size – 80" long X 36" wide X 6" deep Homecare bed-compatible, e.g. PBHBMATFB
Side Rails Requirements	Homecare bed compatible, half or full (e.g., PB6034 and PB7035) manufactured for direct bed frame attachment
Battery	Lowers head and foot one time, will not lift the head or foot sections (9V not included)

LIMITED WARRANTY

- Your ProBasics brand product is warranted as follows:
 - Frame – 5 years
 - Motor – 2 years
 - All other parts - 1 year
- This device was built to exacting standards and carefully inspected prior to shipment. This Limited Warranty is an expression of our confidence in the materials and workmanship of our products and our assurance to the end user of years of dependable service.
- This warranty does not cover device failure due to misuse or negligence, or normal wear and tear. The warranty does not extend to non-durable components, such as rubber accessories, casters, and grips, which are subject to normal wear and need periodic replacement.
- If you have questions about your ProBasics device or this warranty, please contact an authorized ProBasics dealer or Compass Health Brands.

Manufactured for

COMPASSHEALTH

6753 Engle Road

Middleburg Heights, Ohio 44130

Tel.: (800) 376-7263

www.compasshealthbrands.com

42-HBFEBED_HBFEBE_HBFESS_05 ©2023

Made in China